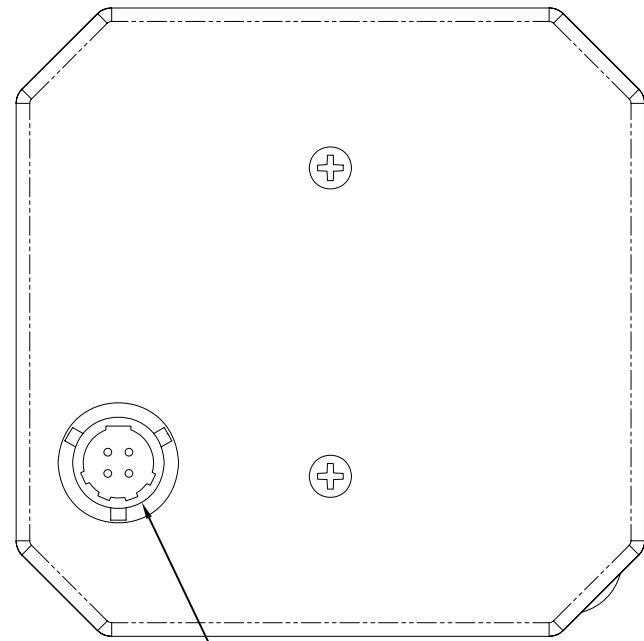


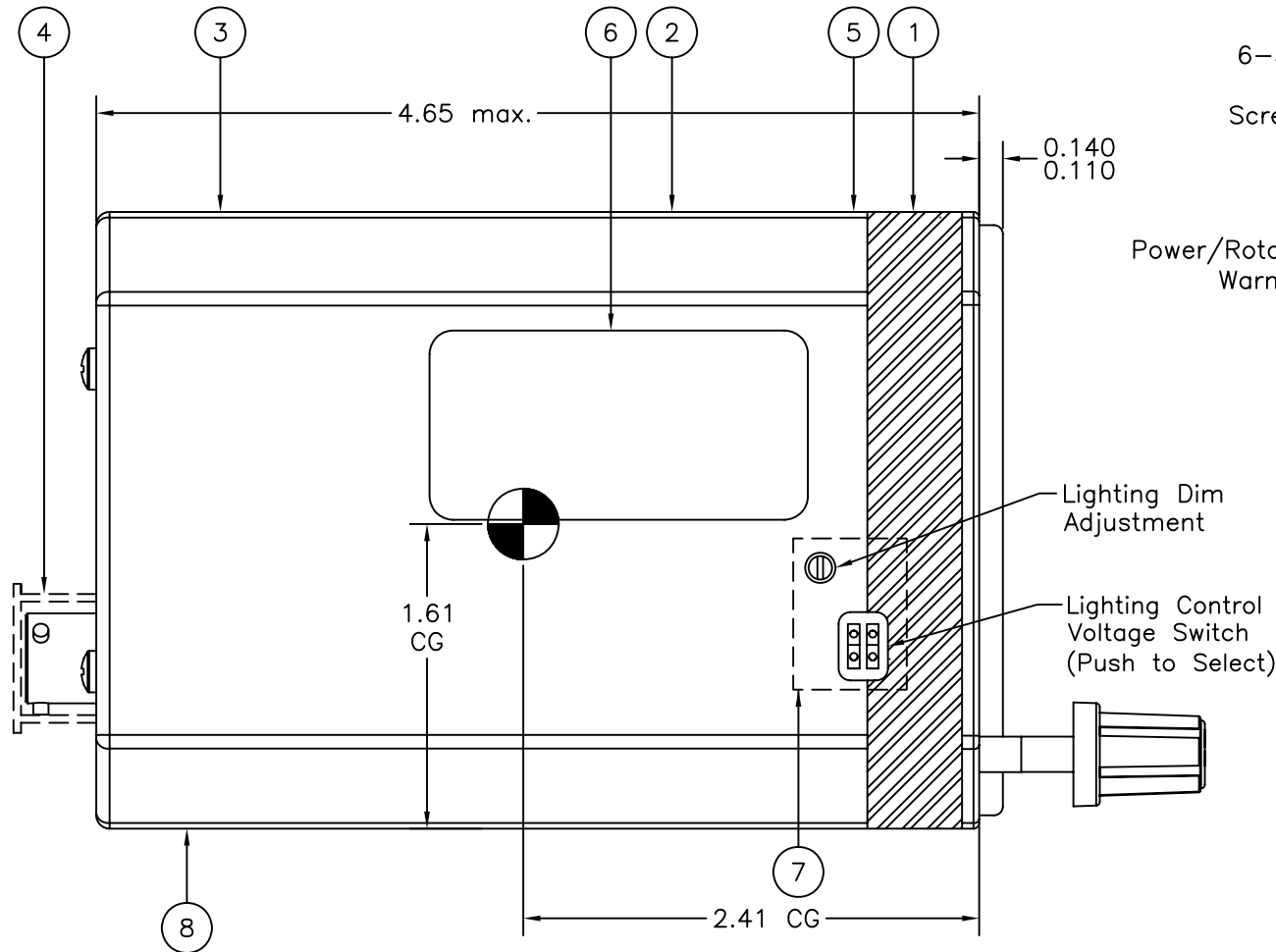
| Configuration | | | | |
|---------------|-----------|-----------|---------------|------------------|
| Dash # | DG Assy | Nameplate | Options Decal | Hole Cover Decal |
| -10 | 9016455-2 | 9016465-1 | omit | omit |
| -11 | 9016455-1 | 9016465-2 | 9016157-2 | 8017212-1 |

| Revisions | | | | |
|-----------|------|------------------------------------------------------------------------------------------------|----------|----------|
| ECO | Rev. | Description | Date | Approved |
| | A | Production Release. P/N was 4305-210. | 1/25/07 | JBR/BAW |
| 4811 | B | Correct typo: Env. Cat Temp Variation "S2" was "C2". | 2/27/07 | JBR/BAW |
| 4943 | C | Add -11 configuration. Revise pinout for internal lighting. Add Options and Hole Cover Decals. | 11/19/07 | MCH/BAW |
| 4998 | D | Change 8017212 to qty 1. Add TP471-(). | 3/7/08 | MCH/JBR |
| 5166 | E | Delete Item 10, black tape, and change Item 7 configuration from 8017212 to 8017212-1. | 2/25/09 | MKN/Sch |

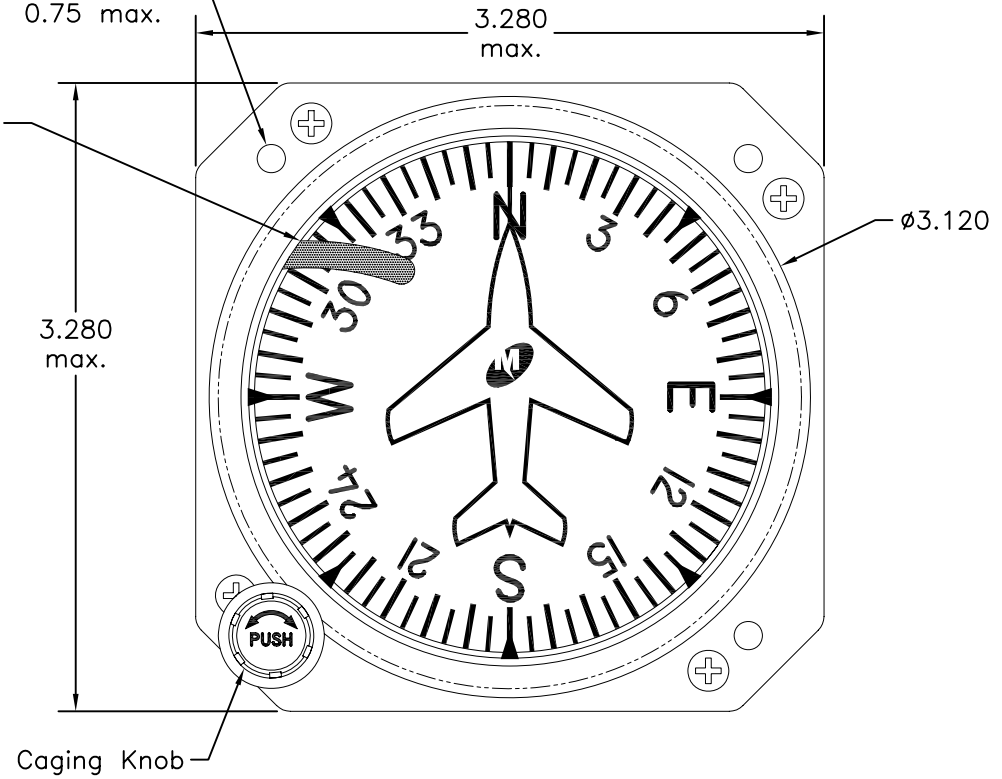


| Connector: MS3112E8-4P | |
|-------------------------|-------------------------|
| -10 Configuration | -11 Configuration |
| A Ground (DC) | A Ground (DC) |
| B +10VDC to 32VDC Input | B Lighting Input |
| C +10VDC to 32VDC Input | C +10VDC to 32VDC Input |
| D Reserved | D Reserved |

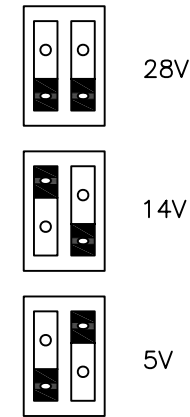
Supply power to pin B or C



6-32UNC-2B holes on
 $\phi 3.500$ BC (3 plcs)
 Screw depth into bezel:
 0.75 max.

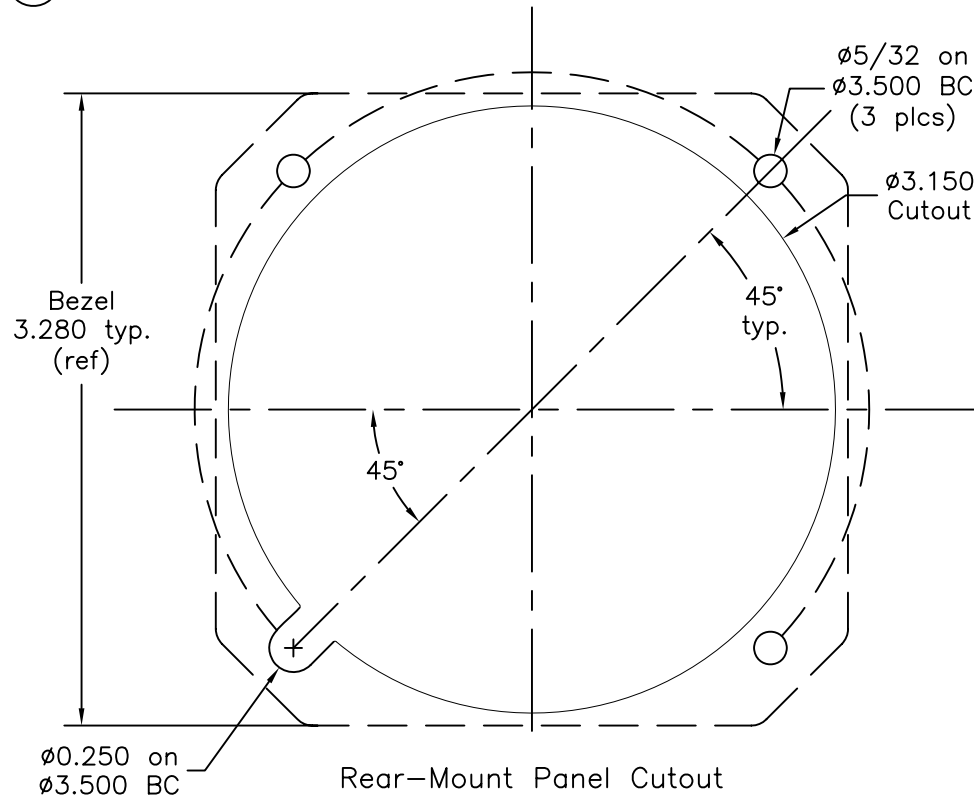


Lighting Control
 Switch Positions
 (3300-11 Only)



| Item | Qty | Part Number | Description |
|------|-----|--------------|-----------------------|
| 1 | A/R | 8017360 | Tape, Acetate |
| 2 | 1 | 6018865 | Decal, Caution |
| 3 | 1 | See Config. | Nameplate |
| 4 | 1 | 8012486-10YF | Cover, Connector |
| 5 | 1 | 6018956 | Decal, Warranty |
| 6 | 1 | See Config | Decal, Options |
| 7 | 1 | See Config | Decal, Hole Cover |
| 8 | 1 | See Config. | Directional Gyro Assy |
| 9 | 1 | 9015514 | Mating Connector |

| Specifications | |
|----------------------------|---------------------------------------------------------------------------------------------------------------------|
| Power Input | 10 to 32 VDC |
| Current Rating | At 13.75 VDC Start: 1.4A Max Run: 0.37-0.51A At 27.5 VDC Start: 0.6A Max Run: 0.18-0.25A |
| Lighting(-11 only) | Internal White LED. Lighting control voltage is selectable for 5V, 14V or 28V DC. |
| Weight | 3300-10: 1.9 lbs. 3300-11: 2.0 lbs. |
| MTBF | 2500 hours |
| Qualification Tests | FAA TSO-C5e RTCA DO-160E Environmental Category: D1S2AER(B1)XXXXXXZZAZ[JC][WW][M][A3C3X]XXAX |
| Temperature | -40°C to +55°C Operating |
| Altitude | +50,000 feet |
| Connector | MS3116E8-4P |
| Mating Connector | MS3116F8-4S or equivalent (P/N 9015514) |
| Color | Index Marks, Text, Symbolic Airplane, Logo: White Bezel, Dial Background: Black Power/Speed Warning Flag: Red |
| Cover Glass | HEA (Anti-Reflective) Coated |



UNLESS OTHERWISE SPECIFIED, ALL DIMENSIONS ARE IN INCHES.
 TOLERANCE:
 FRACTIONAL= $\pm 1/64$
 .XX= ± 0.015
 .XXX= ± 0.005
 .XXXX= ± 0.002
 ANGULAR= $\pm 0.5^\circ$
 CONCENTRICITY: 0.005 TIR
 BREAK ALL SHARP EDGES
 THREADS PER MIL-S-7742

DRAWN:
 J. Reed
 8/23/06
 APPROVED:
 BAW
 1/25/07

This document discloses proprietary information of Mid-Continent Instrument Co. It may be reproduced or disclosed only with written permission of Mid-Continent Instrument Co. and is not to be used in any way detrimental to the interests of Mid-Continent Instrument Co.



TITLE: DIRECTIONAL GYRO
 PART NUMBER: 3300