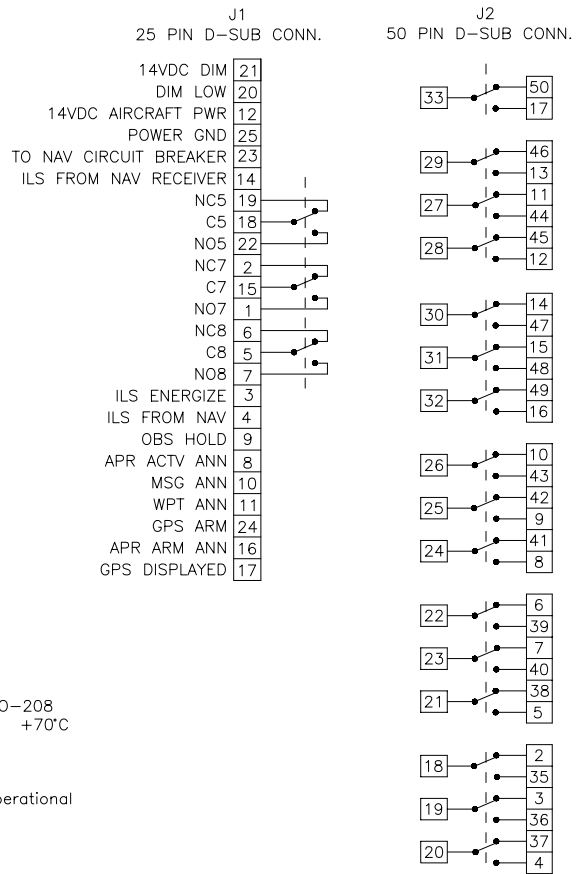
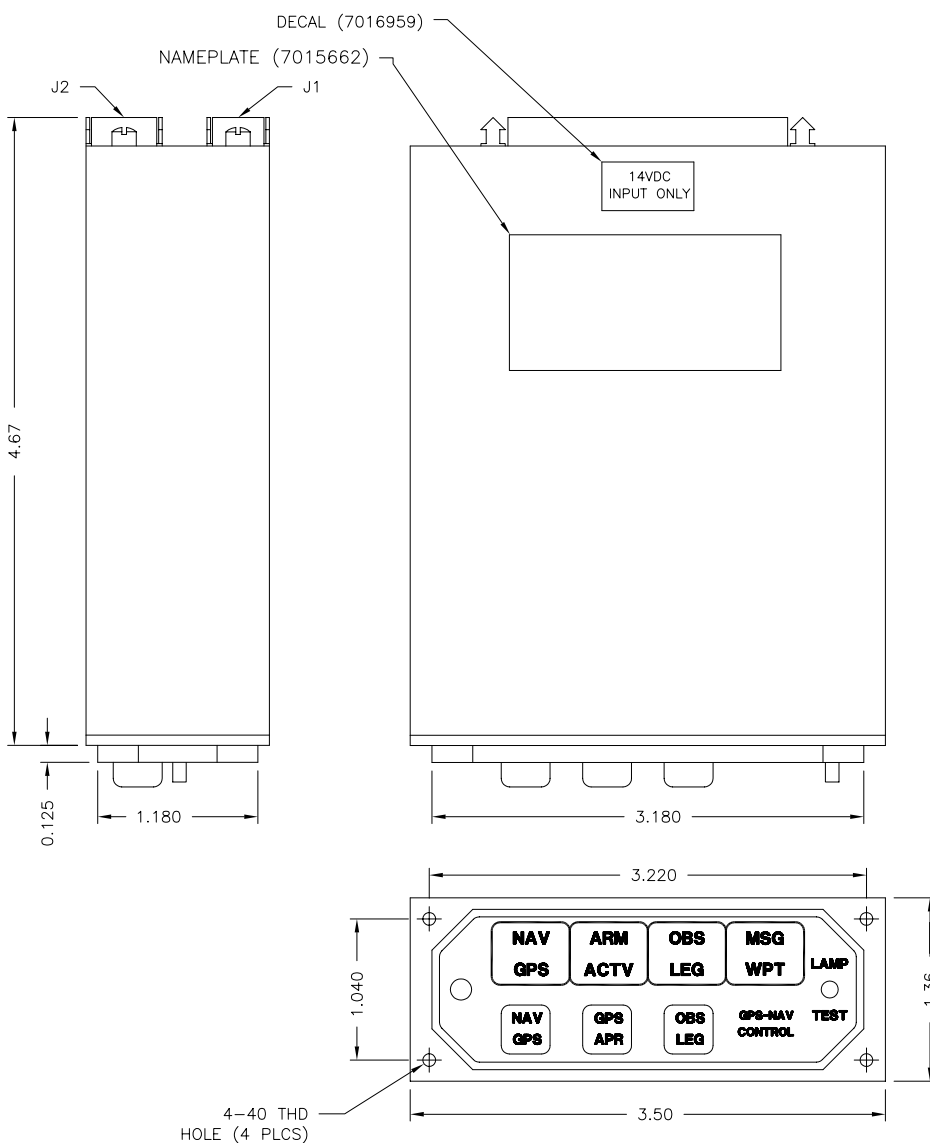


Revisions				Date	Approved
ECO	Rev.	Description			



SPECIFICATIONS:

- TSO Compliance: TSO C129
Applicable Documents: RTCA DO-160C, DO-208
- Operating Temperature Range: -55°C to +70°C
- Humidity: 95% Non-Condensing.
- Altitude Range: 0 to 55,000 ft.
- Vibration: Cat. M and N.
- Operational Shock: Rigid Mounting, 6G Operational 15G Crash Safety.
- Controls:
NAV/GPS: Alternate action switch.
GPS/APR: Momentary action switch.
OBS/LEG: Alternate action switch.
- Annunciations and colors:
NAV: white OBS: white
GPS: green LEG: green
ARM: white MSG: amber
ACTV: green WPT: amber
- Overall color shall be black.
- Weight shall be 0.75 lbs.
- Electrical Specifications:
MD41-324 (14VDC) 0.65 Amp.
Relay Contact Current Rating 2 Amp. DC
Available Relay Poles (SPDT) 19

- Notes:**
- Mating connectors:
For J1: 25 pin female Positronic P/N RD25F10JVL0 (MCI P/N: 7014517).
For J2: 50 pin female Positronic P/N RD50F10JVL0 (MCI P/N: 7014509).

This document discloses proprietary information of Mid-Continent Instrument Co., Inc. It may be reproduced or disclosed only with written permission of Mid-Continent Instrument Co., Inc and is not to be used in any way detrimental to the interests of Mid-Continent Instrument Co., Inc.

UNLESS OTHERWISE SPECIFIED ALL DIMENSIONS ARE IN INCHES TOLERANCE: FRACTIONAL = ± 1/64 .XX = ± .015 .XXX = ± .005 .XXXX = ± .002 ANGULAR = ± 0.5° CONCENTRICITY: .005 TIR BREAK ALL SHARP EDGES THREADS PER MIL-S-7742 SURFACE ROUGHNESS _____ ✓	DRAWN J. Reed 12/18/01 APPROVED SdN 12/18/01 TOP LEVEL ASSY: 8012257-1 USED ON: END ITEM:	12/18/01 12/18/01 8012257-1 USED ON: END ITEM:	MID-CONTINENT INSTRUMENT CO. WICHITA, KS TITLE: Annunciation Control Unit SCALE: None	PART NUMBER: MD41-324 DO NOT SCALE THIS DRAWING	SHEET 1 of 1
	CODE IDENT. NO.: 59742	DO NOT SCALE THIS DRAWING	SHEET 1 of 1		