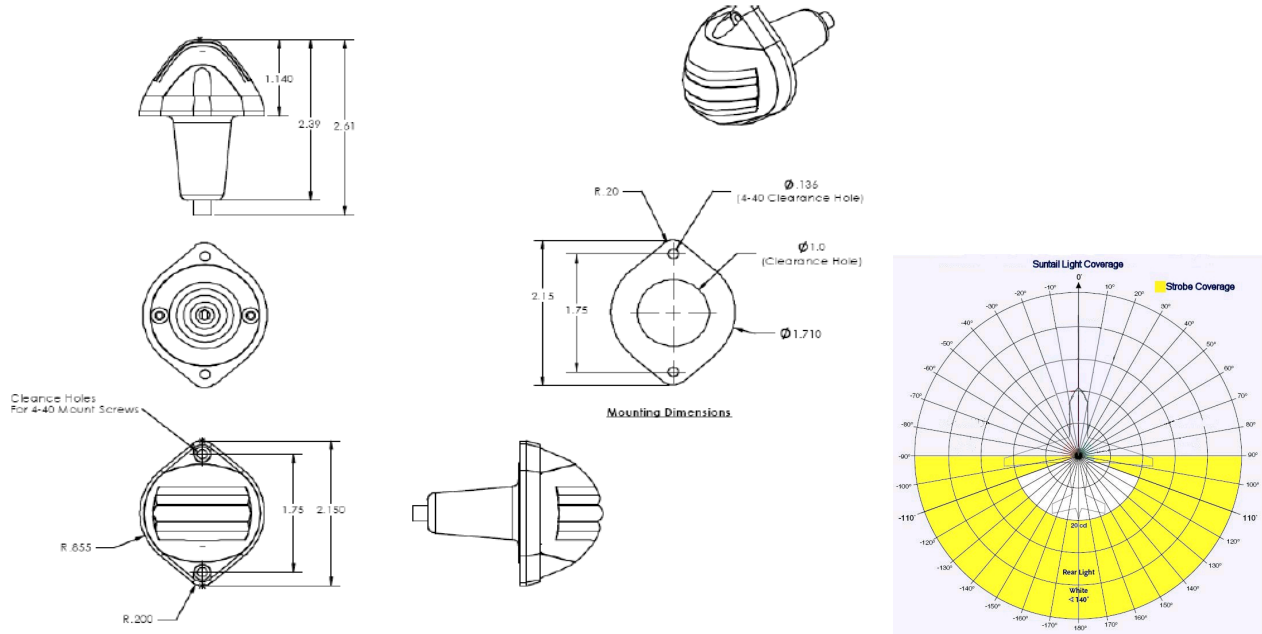




Product Datasheet SunTail Position/Strobe Light



Voltage Range: 9-36VDC
 Current Draw at 12VDC: 1.7 Amp Avg / 4.5 Amps Peak
 Power Consumption: 20 Watts Avg
 Power Supply: Built In
 Synchronization: Built In
 Thermal Protection: Built In
 Position Light: Exceeds 100 effective candela
 Strobe: Exceeds 400 effective candela
 LED Count: 18

Height: 2.15"
 Width: 1.7"
 Depth: 2.61"
 Weight: 3 Oz
 Heat Sink Material: Clear Anodized Aluminum
 Lens Material: Polycarbonate
 Rated Life: 50,000 Hours
 Temperature Range: -55C to +70C