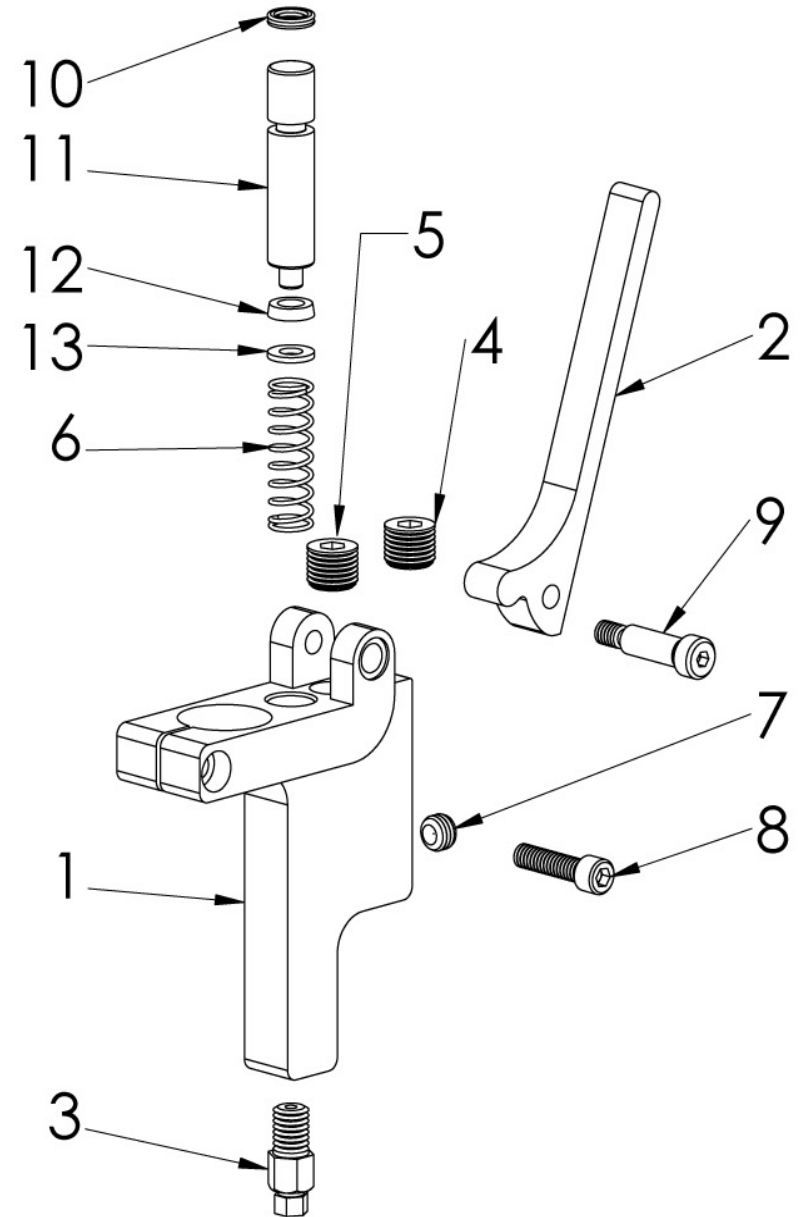


ITEM NO.	PART NUMBER	DESCRIPTION	QTY.
1	44742	Master Cylinder	1
2	44747	Brake handle	1
3	44756	1/8" NPT to 1/8" tube compression fitting	1
4	44758	1/8" NPT plug	1
5	44759	1/8" NPT vent plug	1
6	44761	Return spring	1
7	44760	1/8" NPT plug	1
8	44763	1/4"-20 SHCS S.S.	1
9	44762	Shoulder screw	1
10	44749	O-ring	1
11	44745	Master cylinder piston	1
12	44776	Cup Seal	1
13	44777	Cup seal washer	1

Notice: If replacing item 3, 5, or 7 make sure to use a loctite sealant or teflon tape.



Notes:

UNLESS OTHERWISE SPECIFIED:

DIMENSIONS ARE IN INCHES
 TOLERANCES:
 FRACTIONAL $\pm 1/8"$
 ANGULAR: MACH $\pm .5^\circ$ BEND $\pm 1^\circ$
 TWO PLACE DECIMAL $\pm .030$
 THREE PLACE DECIMAL $\pm .005$

MATERIAL

FINISH

DO NOT SCALE DRAWING



TITLE:
Master Cylinder Assembly

Part #	44764	Qty Req'd
SCALE: 1:8	WEIGHT:	REV:1