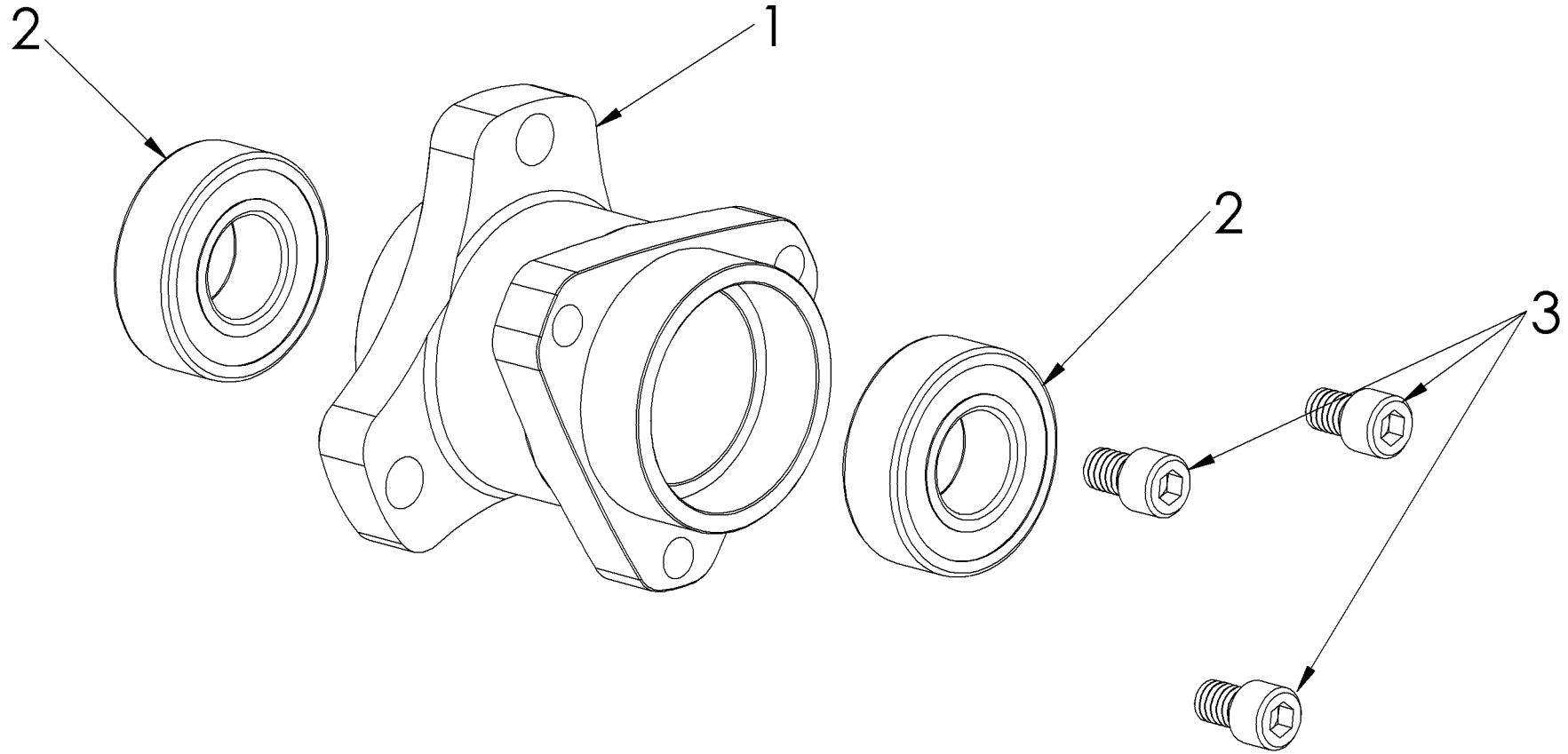


Notice: Item 3 must be inserted with a loctite thread locker to prevent screws from loosening.



ITEM NO.	PART NUMBER	DESCRIPTION	QTY.
1	44744	Wheel hub	1
2	44755	Double sealed ball bearing	2
3	44770	1/4"-20 X .375 SHCS	3

TITLE: Wheel hub assembly

Notes:

UNLESS OTHERWISE SPECIFIED:
 DIMENSIONS ARE IN INCHES
 TOLERANCES:
 FRACTIONAL $\pm 1/8"$
 ANGULAR: MACH $\pm .5^\circ$ BEND $\pm 1^\circ$
 TWO PLACE DECIMAL $\pm .030$
 THREE PLACE DECIMAL $\pm .005$

MATERIAL
 FINISH
 DO NOT SCALE DRAWING



Part #	44772	Qty Req'd
SCALE: 1:8	WEIGHT:	REV:

5



4

3

2

1