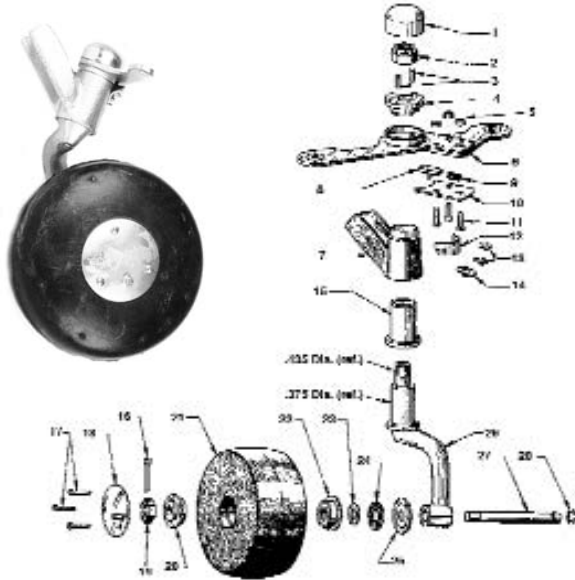


MAULE WHEELS

MODEL SFSA SOLID TAILWHEELS

The SFSA tailwheel assembly is of the same type construction as the SFS-P8A unit except for the tire, which is a 6.50 x 2.50 soft rubber solid tire. Spring connector kit not furnished with this model. FAA-approved. Wt. 6 lbs.

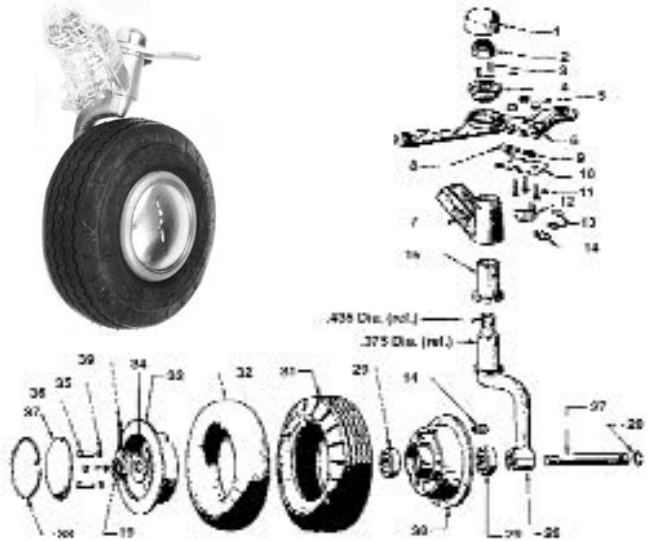
- SFSA-1-4, for 1-1/4" SpringP/N 06-16710**\$229.50**
- SFSA-1-2, for 1-1/2" SpringP/N 06-16720**\$229.50**
- Replacement Tire & BearingsP/N TW-23A**\$128.50**



MODEL SFS-P8A PNEUMATIC TAILWHEELS

An inexpensive 8" pneumatic tailwheel assembly which is steerable and full swiveling, with new improved single arm shimmy-free fork. All working parts heat treated. This model is furnished with a compression anti-shimmy spring connector kit. FAA approved. Wt. 7 lbs.

- SFS-P8A-1-4, for 1-1/4" SpringP/N 06-16730**\$249.50**
- SFS-P8A-1-2, for 1-1/2" SpringP/N 06-16740**\$249.50**
- Tire (2.80 x 2.50 x 4)P/N 06-08000**\$29.95**
- Tube (2.80 x 2.50 x 4)P/N 06-08101**\$14.80**



LG

MAULE P8B TUNDRA TAILWHEEL



A new tailwheel with 8" pneumatic tire designed and engineered to meet the toughest conditions on all types of airports and landing fields.

- SFS-P8B-1-4** For 1-1/4" Leaf Spring WidthP/N 06-16750**\$348.95**
- SFS-P8B-1-2** For 1-1/2" Leaf Spring WidthP/N 06-16760**\$348.95**
- SFS-P8B-3-4** For 1-3/4" Leaf Spring WidthP/N 06-16770**\$348.95**

MAULE TAILWHEEL PARTS LIST

Old Style (Pre 1976) has 3/4" Fork Shaft & New Style (Post 1976) has 7/8" Fork Shaft		Old Style SFS-P8 Pneumatic or SFS Solid Rubber	New Style SFS-P8A Pneumatic and SFSA Solid Rubber	Qty.	Price	Old Style (Pre 1976) has 3/4" Fork Shaft & New Style (Post 1976) has 7/8" Fork Shaft		Old Style SFS-P8 Pneumatic or SFS Solid Rubber	New Style SFS-P8A Pneumatic and SFSA Solid Rubber	Qty.	Price
Fig#	Description	Part Number	Part Number	Req.	Each	Fig#	Description	Part Number	Part Number	Req.	Each
1	Cover Cap	TW-18 (1-1/4")	TW-63A (1-3/8")	1	\$5.40	25	Retainer Washer	TW-64	TW-64	1	\$0.05
2	Nut	AN364-720 or AN365-720	AN364-720 or AN365-720	1	\$1.14		Fork (with axle) Pneumatic	06-00092	TW-58A	1	\$69.50
3	Lock Ring Pin	TW-17	TW-60AB	1/2	\$0.27		Solid Rubber	06-00093	TW-61A-1	1	\$69.50
4	Lock Ring	TW-16	TW-57A	1	\$15.30	27	Axle	TW-5	TW-5	1	\$21.50
5	Nut	AN364-440	AN364-440	3	\$0.13	28	Axle Sircclip Ring	TW-6	TW-6	1	\$0.40
6	Steering Arm Assembly*	TW-15	TW-15A	1	\$46.20	29	Bearing	TW-A7	TW-A7	2	\$41.95
7	Bracket Assy., 1-1/4 In	06-16101	06-16201	1	\$69.50	30	Inboard Wheelhalf, with bearings	TW-30	TW-30	1	\$92.90
	Bracket Assy., 1-1/2 In	06-16102	06-16202	1	\$69.50	31	Tire, 8-inch			1	
	Bracket Assy., 1-3/4 In	TW-22-3-4		1	\$51.00	32	Tube			1	
8	Lock Pin	TW-13	TW-13	1	\$14.80	33	Outboard Wheelhalf	TW-31	TW-31	1	\$25.20
9	Steering Arm Spring	TW-14	TW-14	1	\$0.18	34	Washer	TW-A6	TW-A6	1	\$0.20
10	Lock Cover Plate	TW-12	TW-12	1	\$3.95	35	Lock Washer	AN935-516	AN935-516	3	\$0.02
11	Screw	MS35206-217	MS35206-217	3	\$0.05	36	Bolt	TW-A12	TW-A12	3	\$3.05
12	Cam	TW-10	TW-10	1	\$7.20	37	Hub Cap	TW-32	TW-32	1	\$11.60
13	Screw	AN501-10-4	AN501-10-4	2	\$0.30	38	Hub Cap Sircclip Ring	TW-33	TW-33	1	\$1.13
14	AN520-10-4AN520-10-4 Zerk Fitting TW-7-A14	TW-7-A14		1	\$2.15	39	Cotter Pin	AN380-3-3	AN380-3-3	1	\$0.04
15	Oilite Bearing	TW-7 (3/4" I.D.)	TW-59A (7/8" I.D.)	1	\$4.90	<i>Item 40 thru 44 are used on the "Old" style & pneumatic tailwheels that have a shimmy dampener.</i>					
<i>Item 16 through 25 are for the solid rubber tire assembly only.</i>						40	Adjusting Screw	TW-40		1	\$6.45
16	Cotter Pin	AN380-3-3	AN380-3-3	1	\$0.04	41	Dampener Spring	TW-41		1	\$0.47
17	Screw	TW-A18	TW-A18	3	\$0.22	42	Friction Block	TW-42		1	\$13.50
18	Hub Cap	TW-27	TW-27	1	\$10.85	43	Hex Housing	TW-43		1	\$13.50
19	Axle Nut	AN320-8	AN320-8	1	\$1.26	44	Bracket Assembly, 1-1/4 inch drilled	TW-44-1-4		1	-----
20	Bearing	TW-A15	TW-A15	1	\$5.35		Bracket Assembly, 1-1/2 inch drilled	TW-44-1-2		1	-----
21	Tire-solid, no bearings	TW-23	TW-23	1	\$63.75						
	Tire-solid, with bearings	TW-23A	TW-23A	1	\$128.50						
22	Bearing (with washer)	TW-A15	TW-A15	1	\$5.35						
23	Washer	TW-28	TW-28	1	\$1.55						
24	Felt Seal	TW-26	TW-26	1	\$0.27						

WE BEAT ANY COMPETITOR'S ADVERTISED PRICES!

AIRCRAFT SPRUCE WEST
CORONA, CA • (877) 4-SPRUCE

242
Prices Subject to Change Without Notice

AIRCRAFT SPRUCE EAST
PEACHTREE CITY, GA • (877) 477-7823