

NEW FEATURES UPDATE

- IMPROVED USER INTERFACE
- NEW CUSTOMIZATION OPTIONS
- INTERNAL BATTERY BACKUP OPTION



IMPROVED USER INTERFACE

The addition of a **Flight Menu** allows the pilot to input heading information, switch display configurations and access calibration status.



NEW CUSTOMIZABLE OPTIONS

The **Customizable Options** allow for multiple display configurations, including the ability to simultaneously indicate both "Ground Track" and "Magnetic" heading types.



BATTERY BACKUP OPTION

Now available with the **Internal Battery Backup** option of the **RCA2610 Series** instruments. Rechargeable LiPo Battery offers up to 3 hours of emergency battery power.

The **RCA1510** obtains GPS information through an RS232 communication signal from an existing GPS receiver on the aircraft. An optional internal GPS receiver which obtains a GPS signal from a dedicated powered antenna is also available (See figure 2 Model Options).

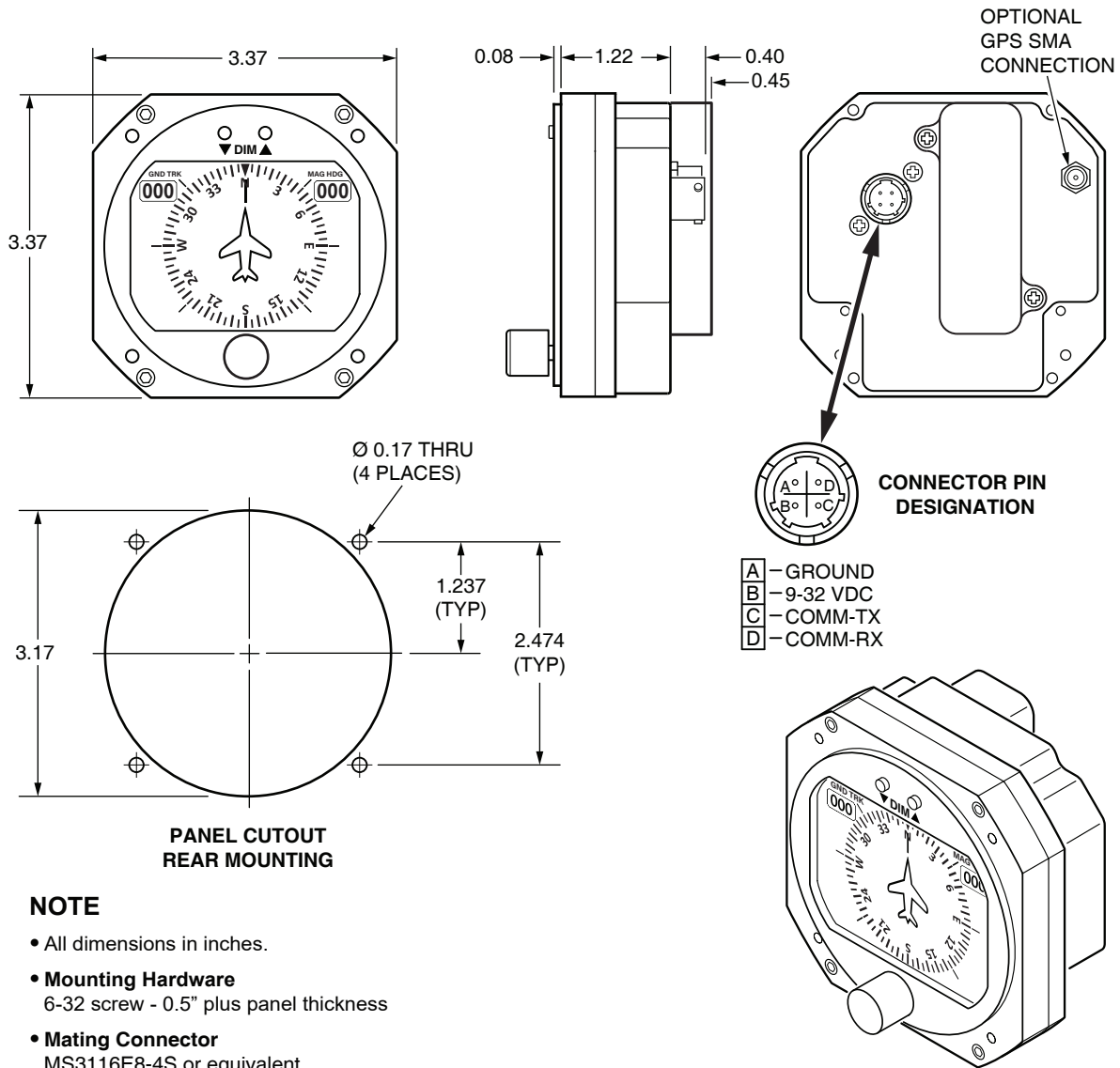


Figure 1, General Dimensions of the RCA1510-3.

PART NUMBER	GPS SIGNAL INPUT		BATTERY BACKUP
	DEDICATED ANTENNA (SMA)	RS232 SERIAL CONNECTION	
103-0503-03-01	X		
103-0503-03-03	X		X
103-0503-03-05		X	
103-0503-03-07		X	X

Represents Manufacturer's Choice: Best value and lead times.

Figure 2, Model Options.

