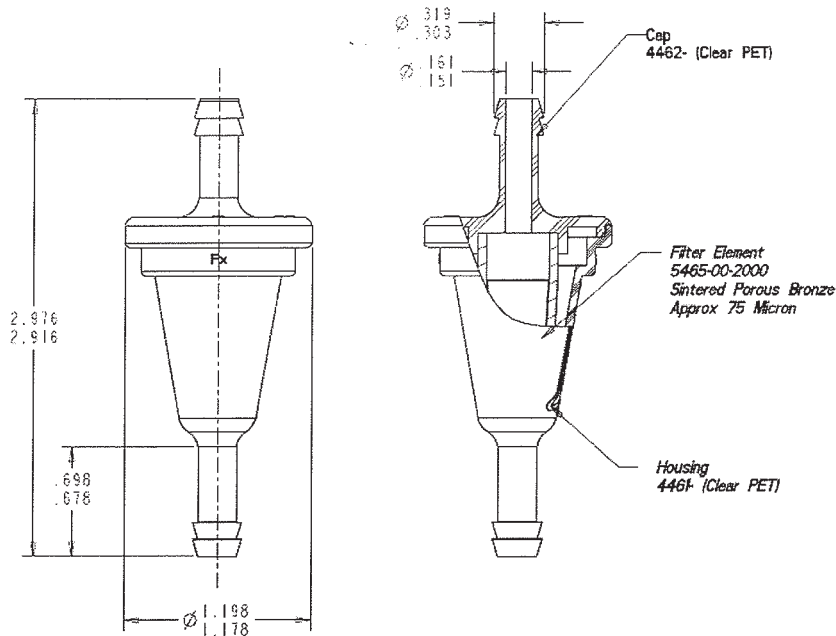
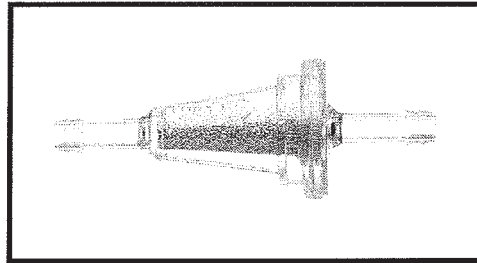


Visu Filter

Precision In-Line Fuel Filters

Part No. 8425 (FF704C) Technical Specification



Performance Properties	Typical Value
Hose Barb Size	5/16"
Fuel Line Recommendation	1/4"
Flow Rate (gal/hr) w/ 3 1/2" Fluid Head	6.1
Average Micron Rating	65-100
Component Materials	Housing: Clear PET (E-85 compatible) Filter Media: Sintered Porous Bronze Cap: Clear PET (E-85 compatible)

This document and its contents contain proprietary information of Fastex-CVA a Division of the Illinois Tool Works Inc. The document and information are to be held in confidence and must not be described, copied or shown, in whole or in part, without the express written permission of ITW Fastex-CVA.