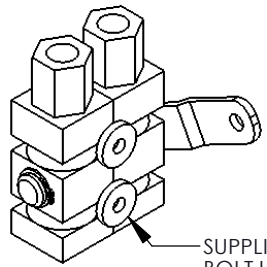


**For Use with Mil-H-5606  
or Equivalent Fluid**

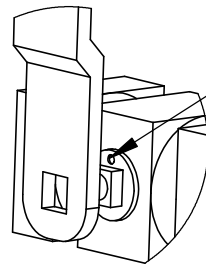
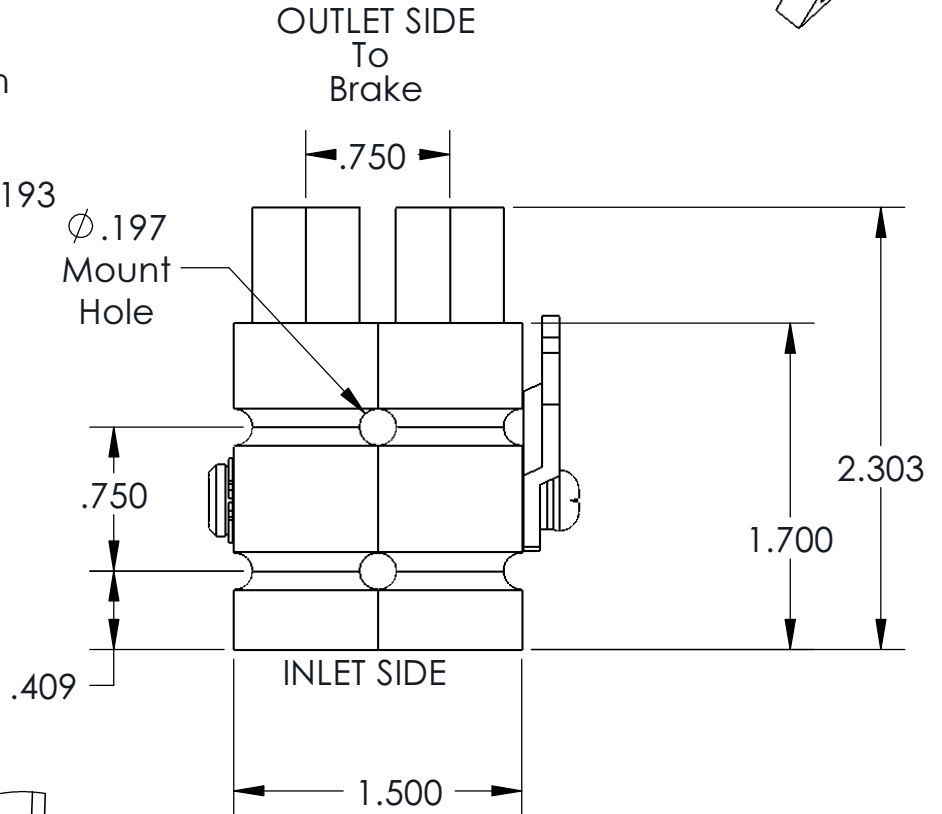
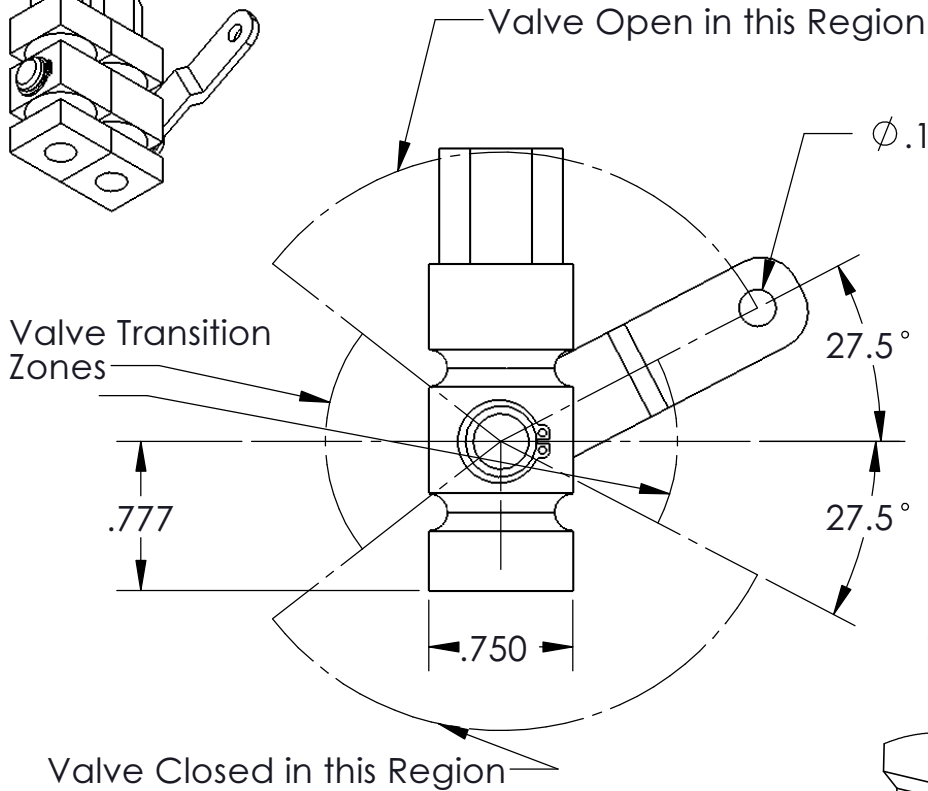
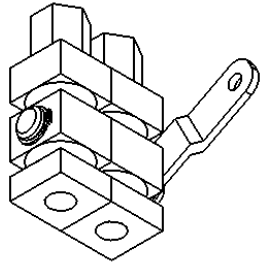
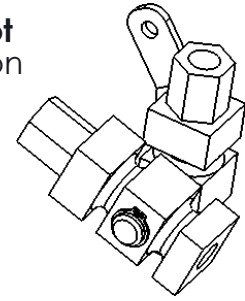
**Inlet and Outlet Port  
Thread Size 1/8 NPT**

**Support body halves  
individually with 0.75  
wrench when installing  
fittings**

**Valve Halves Pivot**  
to allow installation  
of angled fittings  
prior to mounting  
valve!  
Bodies are then  
realigned for use.



SUPPLIED RUBBER WASHERS USED UNDER MOUNTING BOLT HEADS. INSTALL UNDER LIGHT COMPRESSION



Cam Orientation  
Mark

**CAM ORIENTATION NOTE:** Lever can be moved to change Operating Zones in 90 deg increments. Default alignment as shown at right.

NEXT ASSY.	USED ON	QTY
APPLICATION		

**MATCO mfg**



2361 S. 1560 West  
Woods Cross, Utah 84087 USA

NOMENCLATURE  
VALVE, PARK

MATERIAL  
VARIES

PART NUMBER  
PVPV-D

DRAWING NO.  
PARK/PVPV-D INSTALL

CHECKED BY

SCALE  
1:1

REVISION  
NC

Est Wt. (lb)  
0.283

TOLERANCES  
(EXCEPT AS NOTED)  
DO NOT SCALE DRAWING  
LINEAR .XX = + .03  
.XXX = + .01  
ANGULAR + 1/2  
CONCENTRIC + .01

DRAWN BY  
George R. Happ

FINISH

DATE  
7/10/2008

SHEET 1 OF 1  
SHEET SIZE A