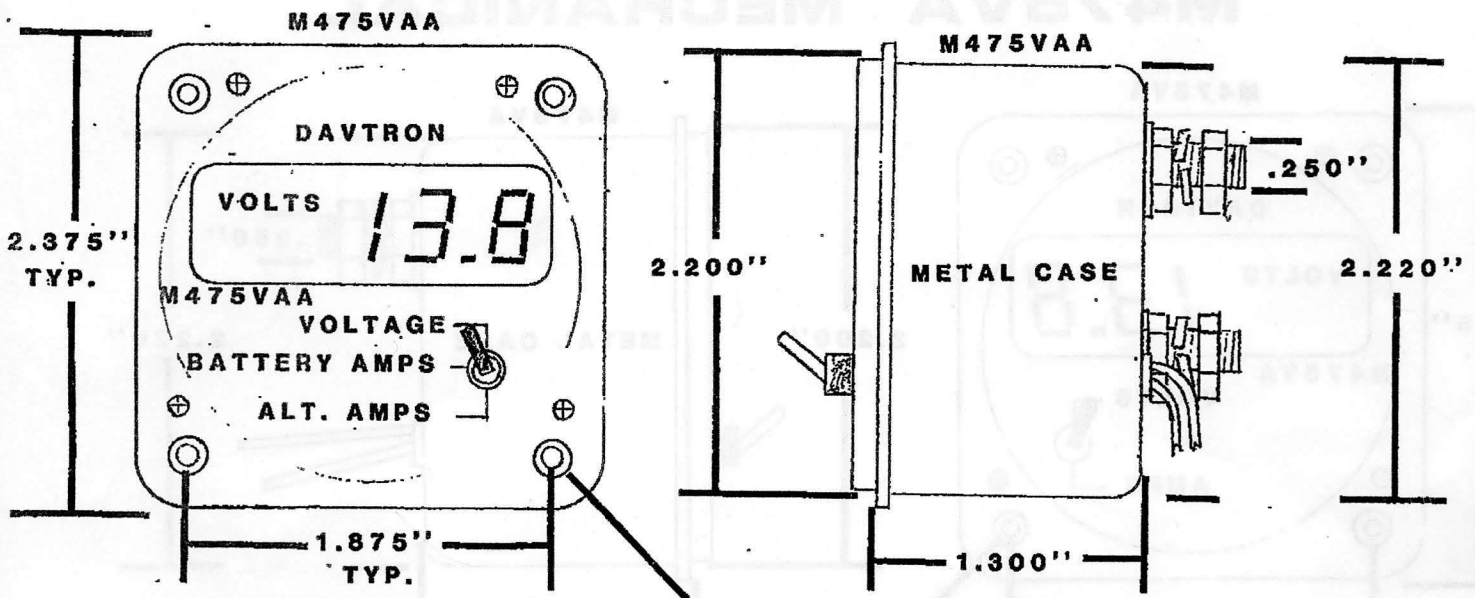


MODEL 475VAA

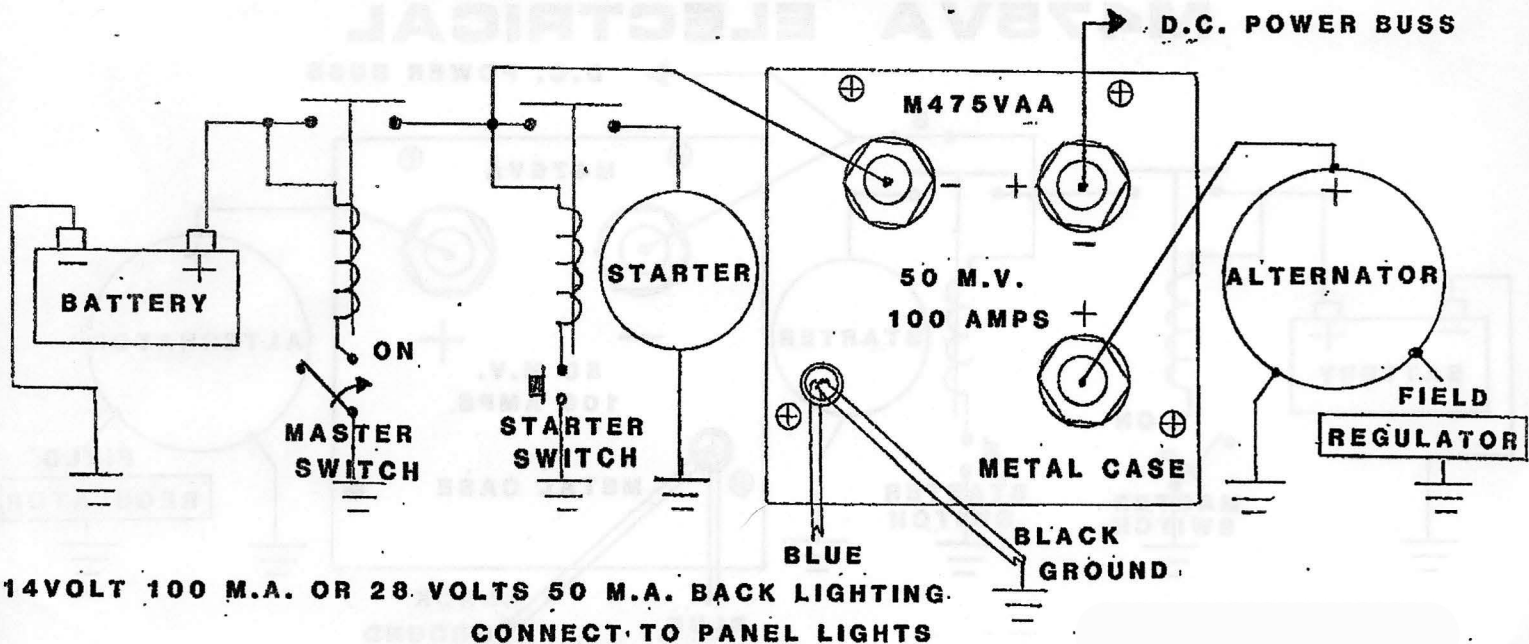
Features *The M475VAA has dual shunts and can read voltage and two current flows. Ideal for measuring alternator output and charge and discharge current of the battery. Can also read two separate load currents. The standard unit is Volts/ + Battery Amps/Alternator Amps. The 475VA and the 475VAA were designed for low current drain and are also used in standby and emergency battery packs. The M475VAA is an on board electrical system analyzer. One example of safety is if the alternator failed you can monitor the load current out of the battery. Loads could be removed to leave a calculated amount of time the battery can provide power.

M475VAA MECHANICAL



MOUNTS WITH 4/40 .375" MAXIMUM LENGTH HARDWARE 4 PLACES

M475VAA ELECTRICAL



14VOLT 100 M.A. OR 28 VOLTS 50 M.A. BACK LIGHTING.
CONNECT TO PANEL LIGHTS