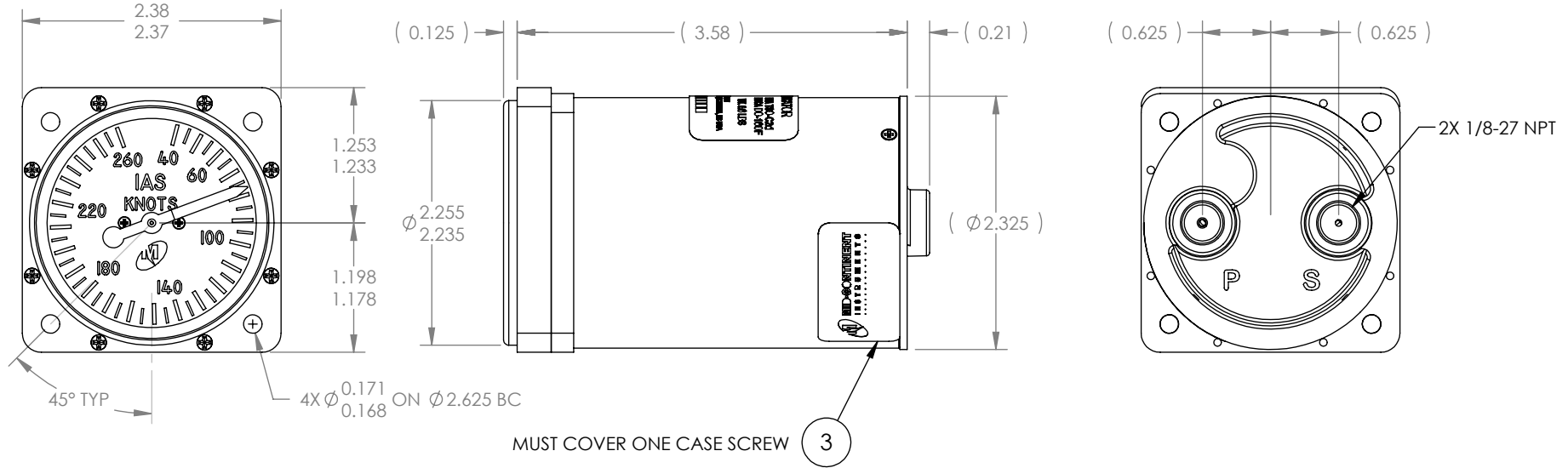
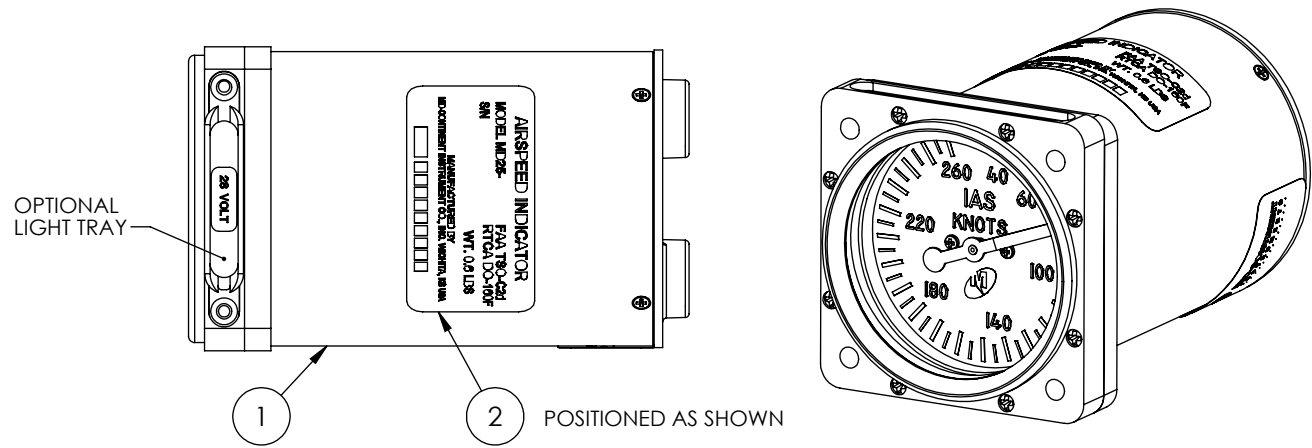


Configuration		
Dash #	Range (kt)	Assembly
-160	20-160	9017008-1
-200	40-200	9017008-2
-260	40-260	9017008-3
-300	40-300	9017008-4
-350	40-350	9017008-5
-400	40-400	9017008-6

Revision				
ECO	Rev.	Description	Date	Approved
	A	Production release.	03/17/10	BAW/CJM



Certification:	FAATSO-C2d RTCADO-160F (D1) CAB[SM] XXXXXYYXXXXXXXXXX
Range:	160-400 knots (see table)
Scale:	knots (mph available upon request)
Lighting:	Field Replaceable LED or Incandescent Light Tray available for 5, 14, or 28VDC input
Colors:	Dials: Black #37038 per FED-STD-595 Pointers and Text: White #37875 per FED-STD-595 Case, Bezel, Knob: Black Range Markings: per customer specification
Weight:	0.6 lbs. max.

UNLESS OTHERWISE SPECIFIED, ALL DIMENSIONS ARE IN INCHES.
TOLERANCE:
FRACTIONAL=±1/64
.XX=±0.015
.XXX=±0.005
.XXXX=±0.002
ANGULAR=±0.5°
CONCENTRICITY: 0.005 TIR
BREAK ALL SHARP EDGES
THREADS PER MIL-S-7742

DRAWN:
BAW
1/18/2010

APPROVED:
C. Mies
3/17/2010

Item	Qty	Part Number	Description
1	1	See Config	Assembly, Airspeed, 2-inch
2	1	9017001	Nameplate
3	1	6018956	Decal, Warranty

This document discloses proprietary information of Mid-Continent Instrument Co. It may be reproduced or disclosed only with written permission of Mid-Continent Instrument Co. and is not to be used in any way detrimental to the interests of Mid-Continent Instrument Co.

MID-CONTINENT INSTRUMENTS

TITLE: **Airspeed Indicator, 2-inch**

PART NUMBER: **MD25**

SCALE: 2:3 DO NOT SCALE THIS DRAWING SHEET: 1 of 1