

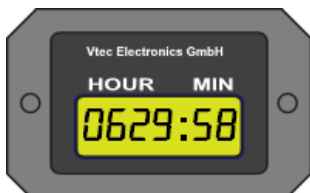
# FTC, FTC57

Hardware V. 1.0  
Software V. 1.0

Vtec Electronics GmbH  
Schenkstr. 1  
CH-3380 Wangen a.A.  
Tel. 032 631 11 54  
www.vtec.ch



## Flight Time Counter



**Installation and Use**

## Bedienung



Shows Hours and Minutes on LC—Display

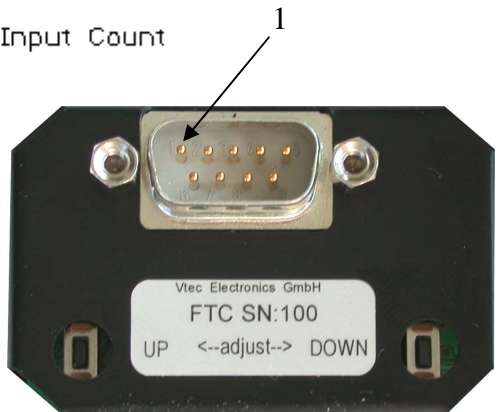
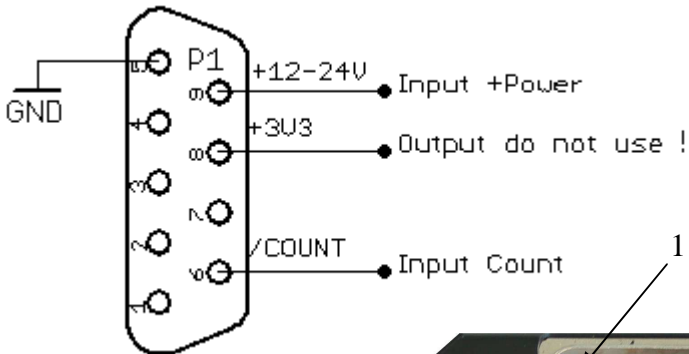
Counting is active during blinking dots.

Both dots are on if counting isn't active.

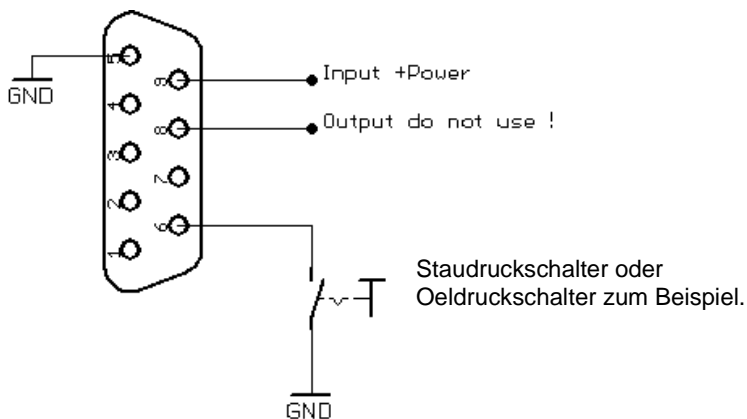
An integrated capacitor ( SuperCap® ) keeps the display on for a few minutes after power off.

## Installation

Inputs ground, power +12 up to 24V DC and count are available on the SUBD9M connector. Don't connect pin 8 !



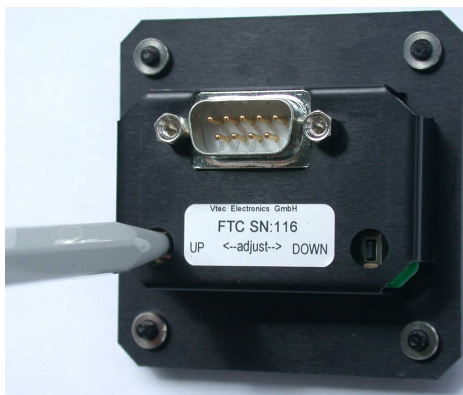
Count is active during input „Count“ has ground level. Activity is indicated with the two blinking dots.



### Setting time for beginning

Connect the FTC with power. Any 9 V battery could used too. Use a plastic ballpoint ore something like that for pushing the two switches on back-side.

Short pushing increments or decrements in steps. Longer pushing increments or decrements faster.



## Model – Description



FTC



FTC57

Difference is in size of front only

## Specification

Power supply: 8 – 26V

Current consumption: < 1mA

Working temperature: -30 ... 70°C

Wight: 40gr

Vtec Electronics GmbH  
Schenkstr. 1  
CH-3380 Wangen a.A.  
Tel. 032 631 11 54  
[www.vtec.ch](http://www.vtec.ch)

