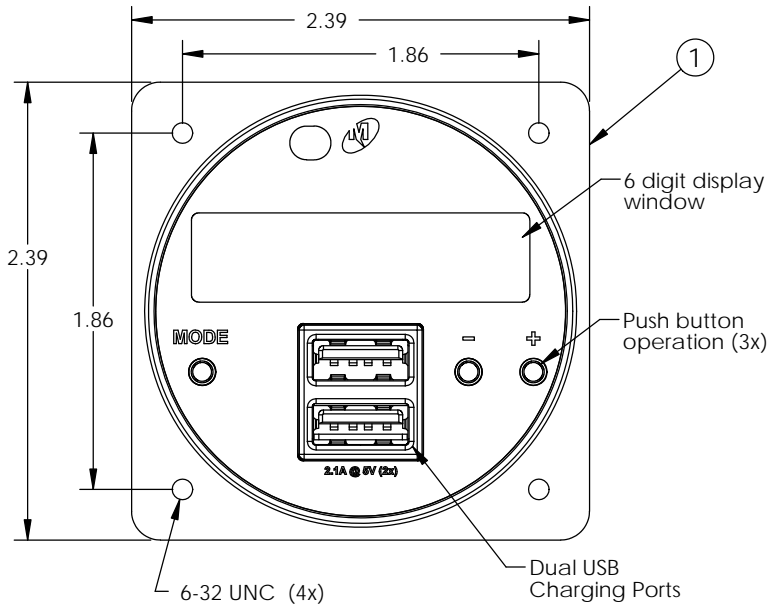


Configuration

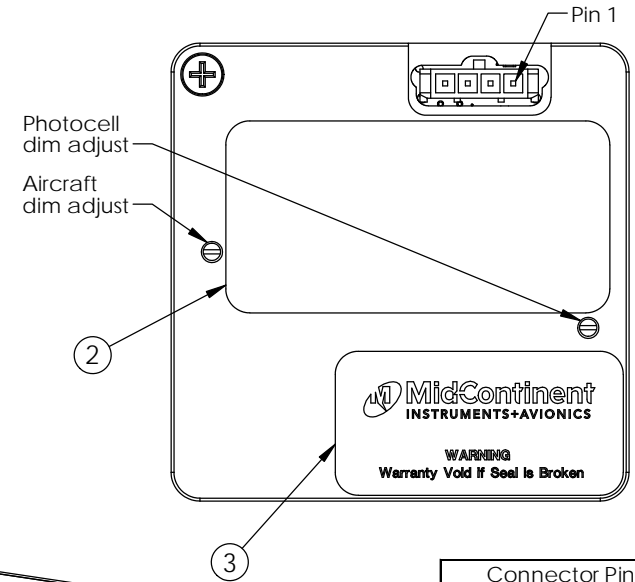
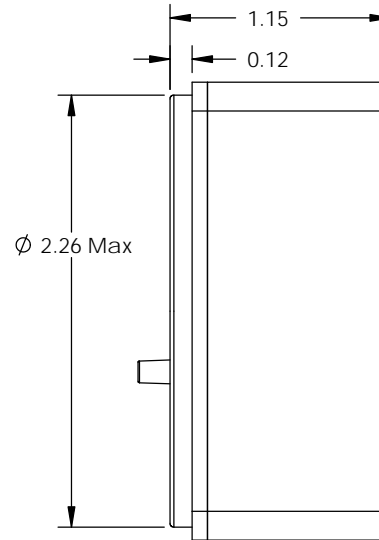
Dash #	Assembly	USB Amps per Port	Power Input
-1	9018085	2.1A	29 watts Max (2.1 A @ 14 VDC; 1 A @ 28 VDC)
-2	9018085-1	3.0A	36 watts Max (2.6 A @ 14 VDC; 1.3 A @ 28 VDC)

Revision

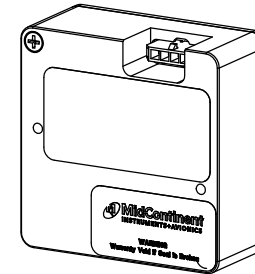
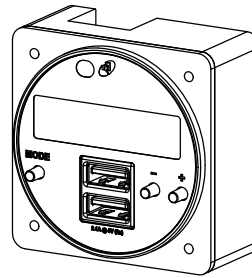
ECO	Rev.	Description	Date	Approved
		See obsolete drawing for revision history.		
6769	C	Weight was 0.25 lbs. Weight in title block was Concentricity.	06/26/17	Sch/VAA
6972	D	Added -2 configuration.	10/01/18	MKN/MEK
6982	E	Corrected max watts of -1 unit from 27 to 29.	10/23/18	MKN/WVC



-1 configuration shown



Connector Pinout	
1	10-32 VDC Input
2	Ground
3	Lighting Bus
4	Flight Timer Enable



Specifications

Model Number	MD93
Input	10-32 VDC, See configuration table for max Watts
Output	5.0 ±0.25 VDC; See configuration table for Amps per USB Port
Interface	USB Standard-A
Qualification	FAATSO C71 RTCA DO-160G (See Installation Manual)
Compliance	USB Battery Charging BC 1.2
Lighting	Clock digits: white LED Mode, +, -, Logo: backlit white LED UTC, FLIGHT, TIMER: backlit white LED when active
Case	Anodized Aluminum, Black
Weight	0.3 lbs
Mating Connect Kit	MCI P/N 9018178

Item	Qty	Part Number	Description
1	1	See config.	Assembly, MD93
2	1	9018082	Nameplate
3	1	6018956	Decal, Warranty

UNLESS OTHERWISE SPECIFIED, ALL DIMENSIONS ARE IN INCHES.  
TOLERANCE:  
FRACTIONAL= ±1/64  
.XX= ±0.015  
.XXX= ±0.005  
.XXXX= ±0.002  
ANGULAR= ±0.5°  
WEIGHT: N.T.E. +5%  
BREAK ALL SHARP EDGES  
THREADS PER MIL-S-7742

DRAWN:  
JDS  
03/13/2014  
  
APPROVED:  
TKV  
07/01/2014

This document discloses proprietary information of Mid-Continent Instrument Co., Inc. It may be reproduced or disclosed only with written permission of Mid-Continent Instrument Co. and is not to be used in any way detrimental to the interests of Mid-Continent Instrument Co., Inc.



TITLE:  
**Digital Clock/USB Charger, MD93**  
PART NUMBER:  
**6420093**