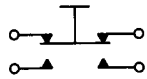
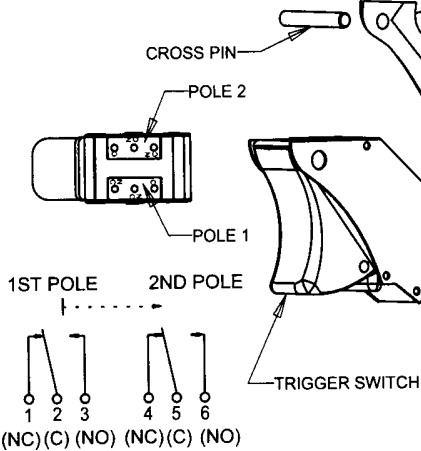


NO = ROUND ENDED TERMINALS
 NC = SQUARE ENDED TERMINALS



P1-11621
 SPDT PUSHBUTTON
 (4 PIECES)

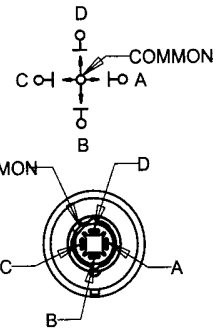
APPLY A LIGHT COATING
 OF AN ELECTRICAL GRADE RTV
 AROUND SWITCH CASE, INSERT
 SWITCH INTO HOLE IN HANDLE



U2-016
 DPDT MOMENTARY
 TRIGGER SWITCH
 INSERT TRIGGER INTO OPENING,
 INSERT CROSS PIN THRU HOLE
 IN HANDLE AND SWITCH, SECURE
 THE BOTTOM LIP OF THE SWITCH
 WITH AN ELECTRICAL GRADE RTV.
 COVER BOTH ENDS OF THE CROSS
 PIN WITH ELECTRICAL GRADE RTV
 TO HOLD IN PLACE.

TRIM SWITCH
 OR PLUG

PUSHBUTTON SWITCH
 OR PLUG



T4-0204
 4-WAY TRIM SWITCH
 CONTACT MADE IN OPPOSITE
 DIRECTION OF LEVER TRAVEL
 APPLY LIGHT COATING
 OF AN ELECTRICAL GRADE RTV
 AROUND DIAMETER OF SWITCH CASE
 AND INSERT SWITCH INTO HANDLE

PUSHBUTTON SWITCH
 OR PLUG

CROSS BOLT & LOCKWASHER

(B) C101144
 HARDWARE REPLACEMENT KIT CONTAINS:
 10-32 X 1.75 CROSS BOLT, LOCKWASHER AND NUT
 1/8 X 1.00 CROSS PIN
 4 Ø .62" PLUGS
 Ø 1" PLUG

NUT

PUSHBUTTON SWITCH
 OR PLUG

FOR INFORMATION ONLY
 OTTO CONTROLS IS NOT RESPONSIBLE
 FOR IMPROPER USE, WIRING OR ASSEMBLY
 OF SWITCHES AND GRIP COMPONENTS

**OTTO
 CONTROLS**

2 EAST MAIN STREET
 CARPENTERSVILLE, IL 60110
 Toll Free Phone: 888-234-OTTO (6886)
 Phone: 847-428-7171
 Fax: 847-428-1956
 Internet: www.ottoeng.com