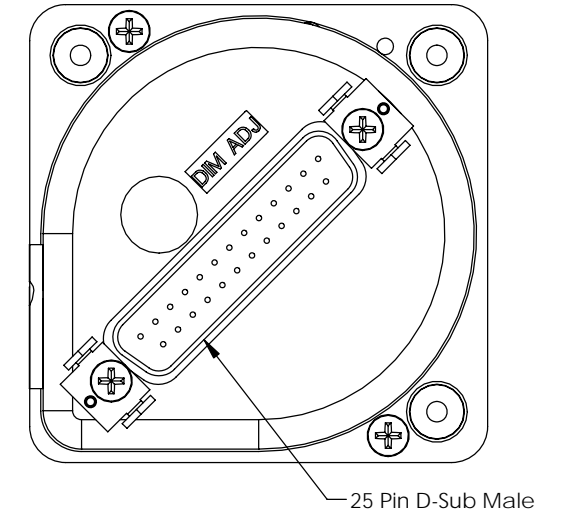
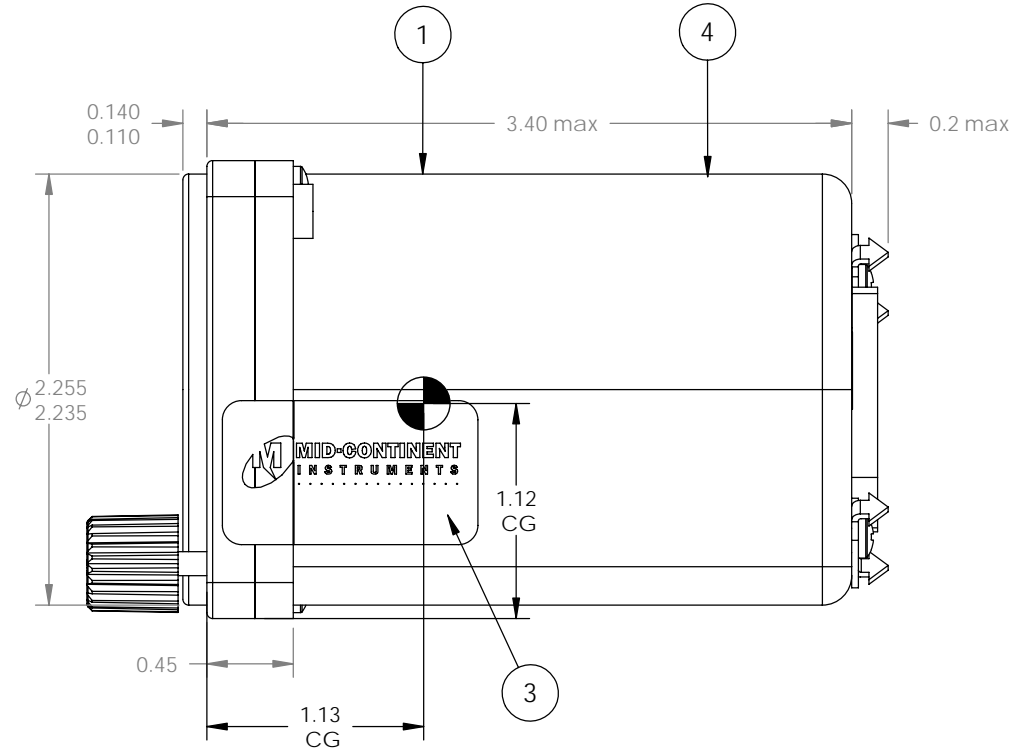
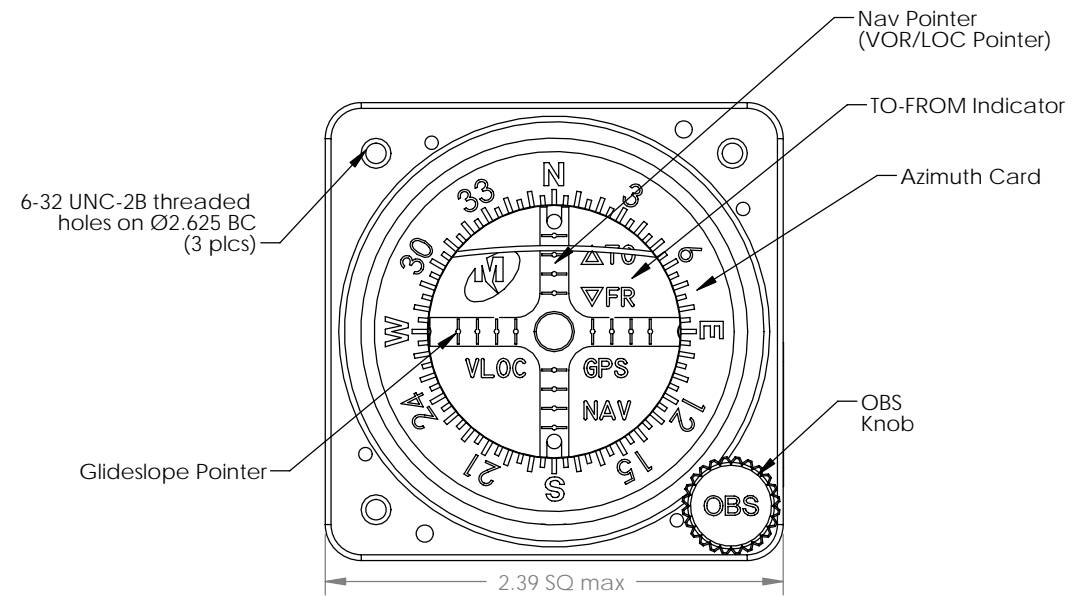
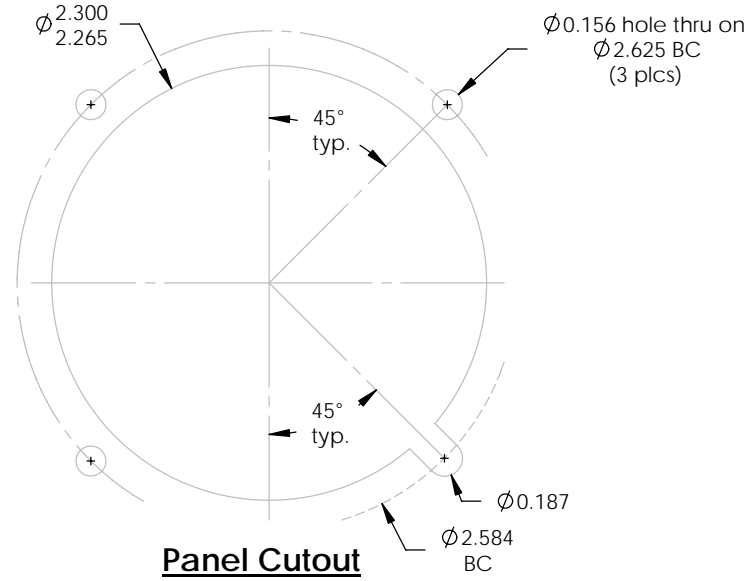


Configuration		
Dash #	Glideslope	Assy, MD222-4XX
-406	YES	9016244-1

Revision				
ECO	Rev.	Description	Date	Approved
		Model number was previously MD200-4XX. See MD200-4XX drawing for revision history.		
4840	B	Update DO 160 Environmental Category.	5/17/07	MCH/BAW
5599	C	Input range was 0 to 5V.	5/10/11	MKN/JDS



Specifications			
Power Input	10 to 32 VDC		
Lighting	Internal White LED. Lighting control voltage is selectable for 5V, 14V or 28V DC.		
Weight	0.6 lbs.		
Qualification Tests	FAA TSO-C34e, C36e, and C40c RTCA DO-192,-195,-196,-160E Environmental Category F1S2AER(BB1G)XXXXXXZAAZ[ZC][WR]M[A3C3X]XXAX		
Temperature	-20°C to +70°C Operating		
Humidity	95% Non-Condensing		
Altitude	0 to +55,000 Ft.		
Operational Shock	Rigid Mounting, 6G operational, 20 G crash safety.		
Cover Glass	HEA (Anti-Reflective) Coated		
Connector	MD25M3S0V50		
Mating Connector	MD25F20JVL0 or equivalent		
Color	Index Marks and Pointers: White	Bezel: Black	
	Dial Background: Black	GPS Annunciation: Green	
	Glideslope and Navigational Pointers: White	MCI Logo: White	
	TO/FR, NAV and VLOC Annunciation: White		
Input Range	Common mode voltage range is 1V to 5V for deviation inputs.		
		Std. Temp. and Press.	Max Operating Temp Range
VOR/GS Deviation	Input Impedance	1K ohms ± 10%	1K ohms ± 25%
	Deflection Sensitivity	150 mV ± 10%	150 mV ± 25%
To/From Indicator	Input Impedance	200 ohms ± 10%	200 ohms ± 25%
	Indicator Illuminated	±40mV ± 15%	±40mV ± 25%
OBS Resolver	Zeroed at	300°±1° ORZ	300°±2.5°
VOR/GS Valid Signal	Input Impedance	1K ohms ± 10%	1K ohms ± 25%
	Pointer In View	260 mV ± 10% max.	260 mV ± 25% max.
	Pointer Out of View	125 mV minimum	



Connector Pin Out			
Pin #		Pin #	
1	Resolver H	14	-NAV Annunciation
2	Resolver C	15	-GPS Annunciation
3	Resolver D	16	+TO
4	Resolver G	17	+From
5	Resolver E	18	+GS Warning
6	Resolver F	19	-GS Warning
7	Reserved	20	+NAV Warning
8	-VLOC Annunciation	21	-NAV Warning
9	+5 VDC Lighting	22	+Left
10	+14 VDC Lighting	23	+Right
11	+28 VDC Lighting	24	+Down
12	+Power	25	+Up
13	-Power Return		

- Notes:**
- MD222-4XX Course Deviation Indicator (CDI) is a 2-inch dual pointer indicator with the following indications:
- 1) Rectilinear VOR/LOC deviation pointer: indicates the amount of deviation and direction from a selected VOR course or localizer path.
 - 2) TO/FROM Indicator: indicates whether the bearing of the selected station is to or from the aircraft when flying a selected course.
 - 3) Rectilinear glideslope deviation pointer: displays deviation from the glide path.
 - 4) OBS knob: rotates azimuth card to the desired bearing.

UNLESS OTHERWISE SPECIFIED, ALL DIMENSIONS ARE IN INCHES.
TOLERANCE:
FRACTIONAL=±1/64
.XX=±0.015
.XXX=±0.005
.XXXX=±0.002
ANGULAR=±0.5°
CONCENTRICITY: 0.005 TIR
BREAK ALL SHARP EDGES
THREADS PER MIL-S-7742

DRAWN:
M. Hawks
3/6/2006
APPROVED:
J. Reed
8/18/06

This document discloses proprietary information of Mid-Continent Instrument Co. It may be reproduced or disclosed only with written permission of Mid-Continent Instrument Co. and is not to be used in any way detrimental to the interests of Mid-Continent Instrument Co.

TITLE:
Course Deviation Indicator, 2"
SCALE: 1:1 DO NOT SCALE THIS DRAWING

MID-CONTINENT INSTRUMENTS

PART NUMBER:
MD222-4XX
SHEET: 1 of 1

Item	Qty	Part Number	Description
1	1	See config.	Assy, MD222-4XX
2	1	7014517	Connector Kit
3	1	6018956	Decal, Warranty
4	1	9016271	Nameplate