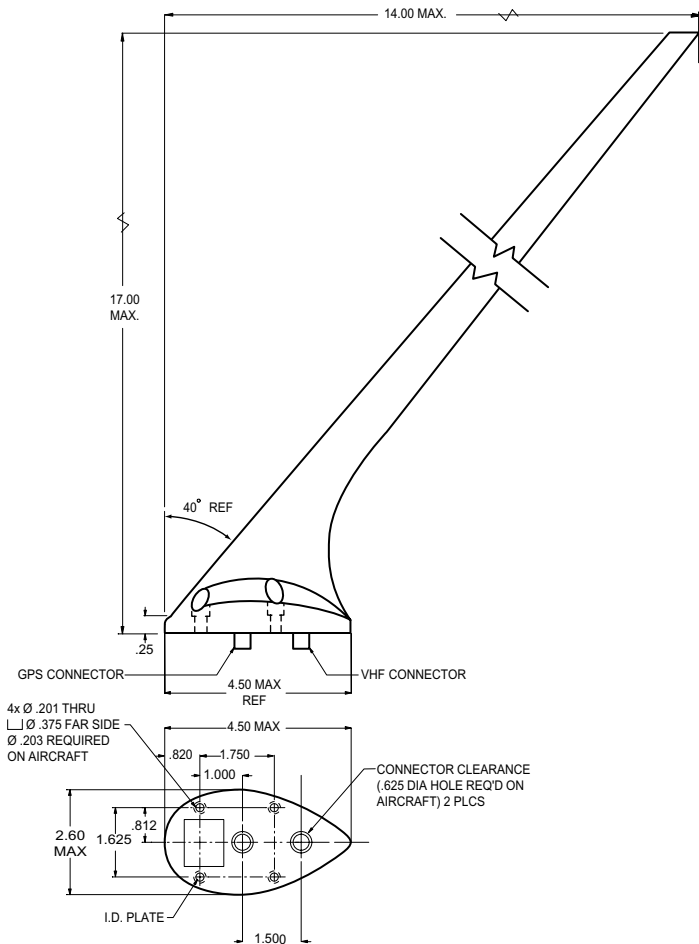


# VHF/GPS Combination • CI 2480-201



**Frequency • 1575.42 MHz 17dB Gain  
118-137 MHz**

All new design shares the popular CI 248 style. Combines both GPS and VHF Com functions in a single footprint. Same 4-hole mounting dimensions as popular VHF antennas. Provides separate connections - TNC for GPS and BNC for communication. Requires no other accessories for connection to panel-mount or handheld GPS/Comm receiver/transceiver "combos." Features a built-in notch filter for excellent performance in a single package, and a GPS amplifier designed specifically for Garmin™ GPS receivers. This patented design is perfect for helicopter applications, and has been tested under the toughest RTCA DO-160D environmental conditions.



| MODEL                         | CI 2480-201 VHF/GPS Combination                                                                                               |
|-------------------------------|-------------------------------------------------------------------------------------------------------------------------------|
| <b>GPS Electrical</b>         |                                                                                                                               |
| Frequency                     | 1575.42 ± 3 MHz                                                                                                               |
| Polarization                  | RHCP                                                                                                                          |
| Axial Ratio (Boresight)       | 3 dB Maximum                                                                                                                  |
| Power Handling                | 1 Watt                                                                                                                        |
| Radiation Coverage (Gain)     | -1.0 dBic Ø < 75°<br>-2.5 dBic Ø < 80°<br>-4.5 dBic Ø < 85°<br>-7.5 dBic Ø =90° (Horizon)<br>+5.0 dBic nom. at Ø =0° (Zenith) |
| <b>Amplifier</b>              |                                                                                                                               |
| Voltage                       | 5vdc                                                                                                                          |
| Gain                          | 17dB ± 3 dB                                                                                                                   |
| Noise Figure                  | 2.0 dB Maximum / 3.8 dB Maximum                                                                                               |
| Impedance                     | 50 Ohms                                                                                                                       |
| VSWR                          | 2.0:1 Maximum Output                                                                                                          |
| Out of Band Rejection         | 35 dB Minimum @ 1626 MHz                                                                                                      |
| Power Handling                | 50 mA Maximum                                                                                                                 |
| Lightning                     | DC Grounded                                                                                                                   |
| <b>VHF Electrical</b>         |                                                                                                                               |
| Frequency                     | 118 - 137 MHz                                                                                                                 |
| VSWR                          | 2.5:1 Maximum                                                                                                                 |
| Polarization                  | Vertical                                                                                                                      |
| Radiation Pattern             | Omnidirectional                                                                                                               |
| Impedance                     | 50 Ohms                                                                                                                       |
| Power Rating                  | 50 Watts                                                                                                                      |
| VHF Harmonic Rejection        | 80 dB Typical                                                                                                                 |
| <b>Mechanical</b>             |                                                                                                                               |
| Weight                        | 0.6 lb. Maximum                                                                                                               |
| Height                        | 17.0 in. Maximum                                                                                                              |
| Material                      | Molded Radome                                                                                                                 |
| Finish                        | Polyurethane Enamel                                                                                                           |
| Connector                     | See Order Option                                                                                                              |
| <b>Environmental</b>          |                                                                                                                               |
| Temperature                   | -55° C to +85° C                                                                                                              |
| Altitude                      | 55,000 ft.                                                                                                                    |
| Air Speed                     | 350 Knots TAS                                                                                                                 |
| <b>Federal Specifications</b> |                                                                                                                               |
| RTCA Environmental            | DO-160D                                                                                                                       |
| Environmental Category        | [F2X]ACB[S(L)U(F,F1)T(C,C1,R)]<br>XRFXSXXXXXXXXXX[X]C                                                                         |
| FAA TSO                       | C37b, C38d, C129a                                                                                                             |
| RTCA MOPS                     | DO-208                                                                                                                        |
| <b>ORDER OPTIONS</b>          |                                                                                                                               |
| <b>Connector</b>              |                                                                                                                               |
| BNC                           | VHF Port                                                                                                                      |
| TNC                           | GPS Port                                                                                                                      |
| <b>Color</b>                  |                                                                                                                               |
| White                         | Standard                                                                                                                      |
| Gasket                        | C248006-2 Cork                                                                                                                |

**Warning:** Drawing not to scale. Use factory supplied drawings and specifications for installation. Call Comant for updated drawings.  
©2002 Comant Industries Inc.