

# WHELEN<sup>®</sup>

ENGINEERING COMPANY INC.

51 Winthrop Road  
 Chester, Connecticut 06412-0684  
 Phone: (860) 526-9504  
 Fax: (860) 526-2009  
 Internet: [www.whelen.com](http://www.whelen.com)  
 Sales/Service e-mail: [aviation@whelen.com](mailto:aviation@whelen.com)

**Installation Guide:**  
**Model 71080( )-series**  
**Model(s) 7108000, 7108050**  
**P/N(s):01-0771080-00**  
**01-0771080-50**  
**LED Flashing Anti-Collision**  
**Light Assembly**



**TSO-C96a CLASS I, III**  
**APPROVED**



*The conditions and tests required for TSO approval of this article are minimum performance standards. It is the responsibility of those installing this article either on or within a specific type or class of aircraft to determine that the aircraft installation conditions are within the TSO standards. TSO articles must have separate approval for installation in aircraft. The article may be installed only if performed under 14 CFR part 43 or the applicable airworthiness requirements.*

## OPERATING INSTRUCTIONS:

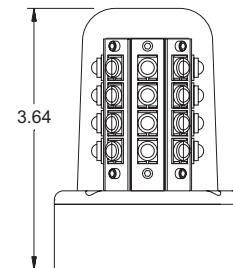
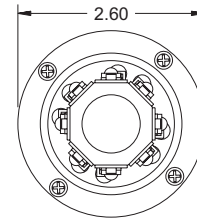
**Operational Voltage:** . . . . . 14 / 28 VDC nominal  
**Average Input Current:** . . . . . 1.34 / 0.67 Amps  
**Peak Input Current:** . . . . . 6.0 / 3.0 Amps @ .3 Seconds

The Model 71080 series LED anti-collision light assembly meets the requirements of FAR 91.205(c)(3).

**CONTINUED AIRWORTHINESS:** The 71080 series LED anti-collision light assembly is designed with 8 vertical columns consisting of 4 LEDs each. Should any one LED or any vertical column fail, the unit must be repaired or replaced. Inspect the lens and replace if there is excessive scratching, discoloration or cracking.

**INSTALLATION PROCEDURES:** The following information is to assist in the installation of a Whelen LED Flashing Anti-collision Light System.

1. The installation procedure described in the following text will be confined to a single light installation, but is identical for multiple light installations.
2. Using the "suggested mounting hole pattern" prepare the aircraft for means to secure the LED Flashing Anti-collision Light assembly. Remove any existing mounting adapters.
3. 14 / 28 VDC (+) and (-) ground leads equipped with an appropriate sized breaker to be supplied to the LED Flashing Anti-collision Light Assembly System. Both leads must be connected by an approved FAA connection. Insure that the wire leads are clear of any obstructions and ty-wrap as required.
4. Install the light assembly by first removing the lens. Attach the light assembly to the aircraft mounting holes. Refer to page 2. Reinstall the lens.
5. All inverted (bottom) mounted units shall require waterproofing of the flasher base assembly to the aircraft. **Note:** Drill a 1/8" hole in the center of the lens for bottom mount units.
6. Check all avionics systems for interference from this installation.
7. A flight check should be performed by a properly certified pilot.
8. Update aircraft records, complete Form 337 and obtain FAA field approval for installation.

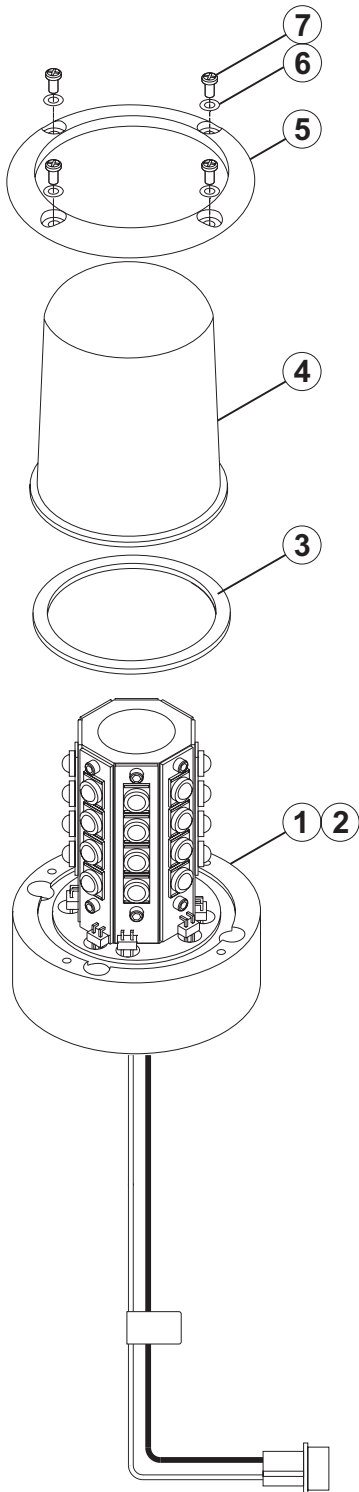


MFG LABEL

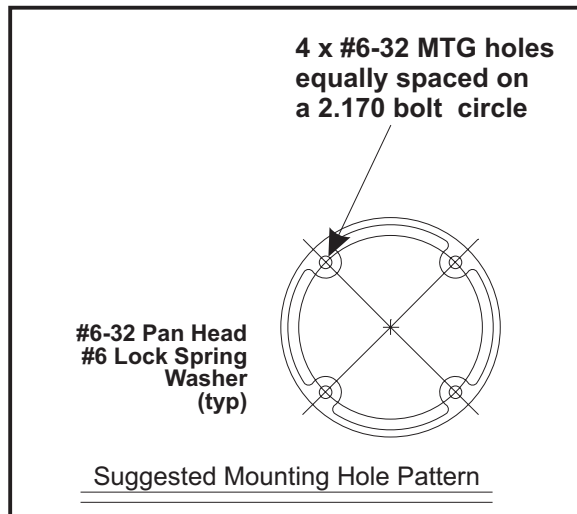
(+) 14VDC RED  
 20AWG 5.5" ±1.0"  
 or  
 (+) 28VDC WHITE  
 18AWG 12" ±1.0"

(-) GROUND BLACK  
 20AWG(14VDC) 5.5" ±1.0"  
 18AWG(28VDC) 5.5" ±1.0"

Aviation



QTY	QTY	ITEM	PART NUMBER	DESCRIPTION
	*		01-0771079-00	MODEL 7108000 (28V)
	*		01-0771079-50	MODEL 7108050 (14V)
-	1	1	01-0271085-00	ASSY, 28V LED ANTI COLLISION LIGHT 71080
1	-	2	01-0271085-50	ASSY, 14V LED ANTI COLLISION LIGHT 71080
1	1	3	38-0250885-00	GASKET, LENS MODEL 71055 SERIES
1	1	4	68-4971082A30	LENS, CLEAR LED ANTI-COLLISION HARDCOAT
-	1	5	19-171047-100	RETAINER, LENS IRIDITE COMPLETE
4	4	6	16-0050506135	WASHER, #4 LOCK-SPRING MS35338-135
4	4	7	140050505-14	SCREW, 4-40 X 5/16 PPHMS MS51957-14



Pos. 1	(+) 14/28 Volts	Red/White
Pos. 2	(-) Ground	Black