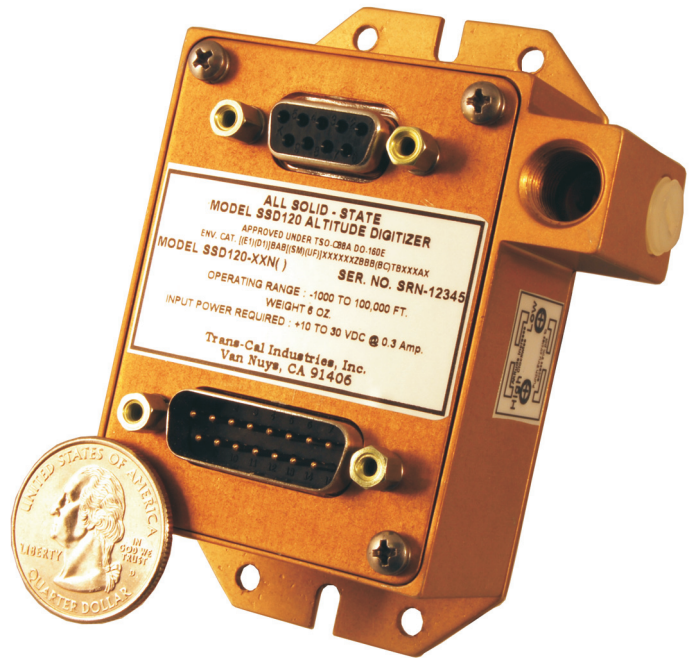
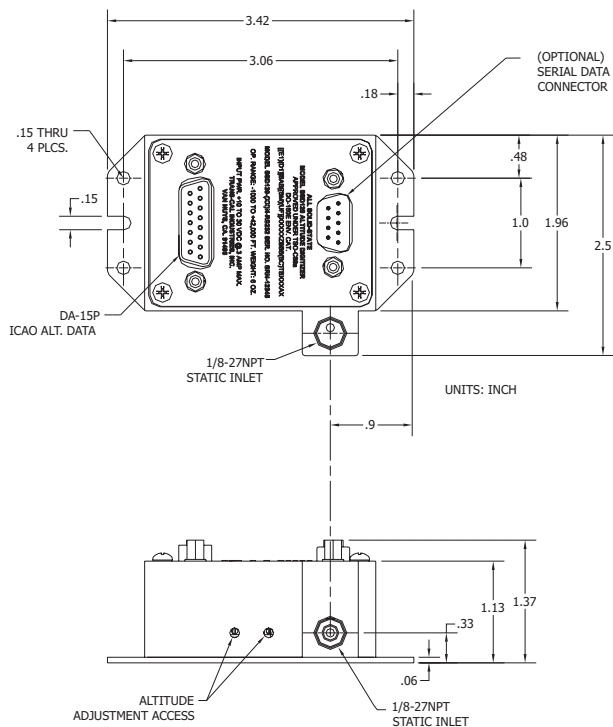


LEADER IN ALTITUDE REPORTING  
FOR 30 YEARS!

TC TRANS-CAL INDUSTRIES

## Introducing The Nano The Worlds Smallest, Lightest Altitude Encoder!



## SSD120-(XX)N

### Product Features and Benefits

- **Operating temperature:** -20°C to +70°C
- **Operating altitude:** -1000' to +30,000' (Available in altitudes from 30,000' up to 100,000')
- **Accuracy:** ±50' from -1000' to +30,000'
- **Weight:** 5.9oz.
- **Will operate on either 14 or 28 VCD at 0.270 Amps.**
- **No Warm-up time:** +20°C to +70°C  
-20°C to +20°C 30 seconds
- **Optional:** Available with two independent RS232 serial data ports selectable message protocols for most popular avionics interfaces. Programable for 100' and 10' resolutions.
- **Best Warranty in the business:** 42 months manufacture direct replacement. If your Trans-Cal encoder experiences a warranty covered failure, we will replace your unit with a brand new unit with a new 42 month warranty.
- **Average MTBF:** 9.7+ years. That's right Trans-Cal encoders are among the most reliable on the market, commonly providing reliable service for over 10 years.
- **Pin for pin replacement** for most other manufacturers encoders.
- **Optional:** Available with adapter plates that will allow the installer to mount the unit in another manufacturers mounting tray.