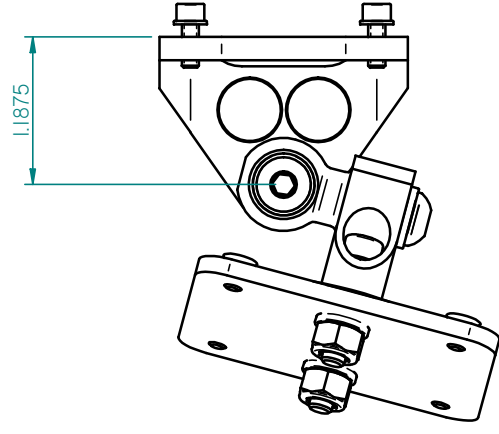
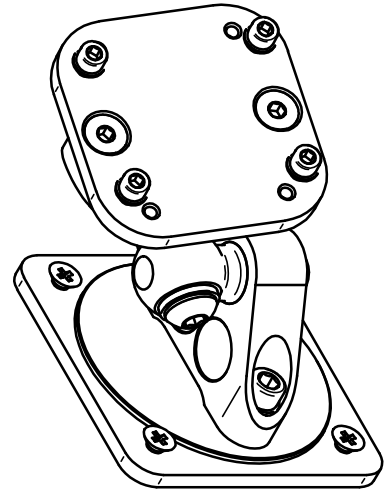
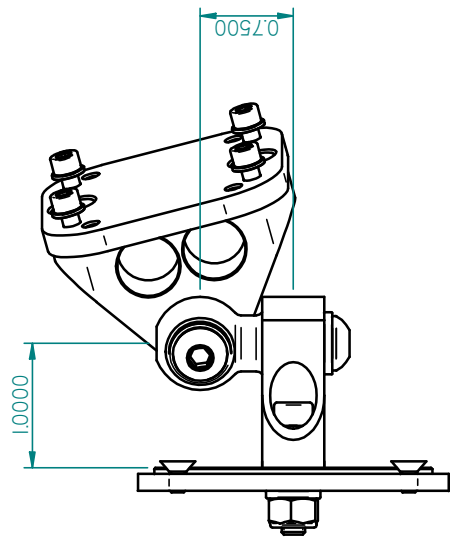
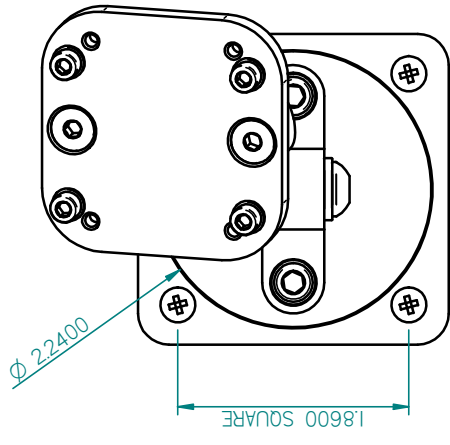
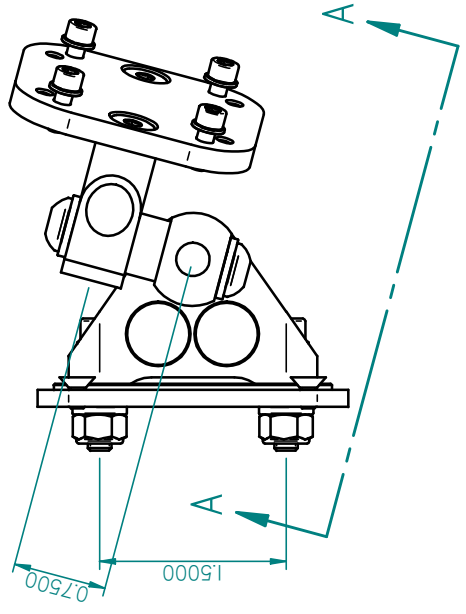
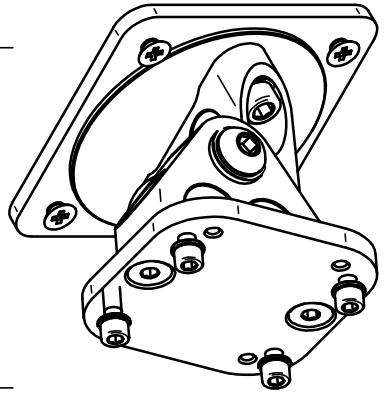


REVISION HISTORY		
REV	DESCRIPTION	DATE



VIEW A-A

DRAWN	Ron Mathis	SIZE	DWG NO	REV
DATE	12/5/2007	B	241 040	A
MATERIAL		TITLE		
FINISH		241 040 INSTALLATION DRAWING		
UNLESS OTHERWISE SPECIFIED DIMENSIONS ARE IN INCHES LINEAR TOLERANCE ±0.005 ANGLE TOLERANCE ±0.5°		SCALE:	1:1	WEIGHT:
				SHEET 1 OF 1

Angerole
Angerole, Inc. - Indianapolis, Indiana - www.angerole.com