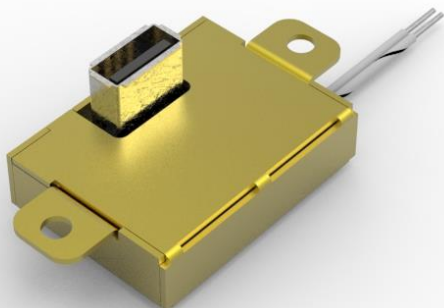


# AERO USB Charger



INGENIO AERO USB Charger

**DO-160G**  
**Inteli-Fuse**  
**MFi**



The **AERO USB Charger** by **INGENIO** is a compact, super lightweight, robust and reliable MFi USB charger for Portable Electronic Devices. It is purposefully engineered to meet the stringent technical requirements of the aviation industry. It is **DO-160G** qualified for both fixed wing & rotary aircraft in the cabin and cockpit environments.

- The **AERO USB Charger** is an intelligent MFi USB charger. It is a unique product and within its small housing is an extremely powerful charger designed to be robust enough to power all of today's ever growing list of electronic devices.
- Designed and built with **Inteli-Fuse** technology, the **AERO USB Charger** offers maximum protection from power irregularities.
- Output protection is activated automatically and fully restored once a short circuit is corrected. Input protection is activated by temporarily disconnecting from the power source and is also auto self-correcting.
- The temperature rise of the unit under maximum load is minimal, because of the high efficiency power supply circuit.
- Intel-Fuse protection makes the **AERO USB Charger** very reliable with practically no need for service after any imaginable power hazard situation. Related service costs are held in check and all user devices are protected.
- The **AERO USB Charger** is easily installed in seats, cabin monuments and in the cockpit. It can be mounted on a wide range of fixed points due to its small physical size.
- The **AERO USB Charger** is manufactured to power most Portable Electronic devices like the latest Apple iPhone, iPad and iPad Mini; Android Smartphones and Tablets; MP3 Players and other USB-powered products.
- All these features make the **AERO USB Charger** a unique product that helps distinguish itself from the competition.

## Specifications

Over-Voltage Inteli-Fuse Technology

Minimum input voltage 8.5VDC

Main input voltage 28VDC

Over-Voltage Inteli-Fuse level 36VDC

Nominal output voltage 5V

Maximum output current 2.5A

Approx. 85% power efficiency under full load

Over-Voltage output protection

Output short circuit active protection

Maximum input current 0.46A at 28VDC

Wire length 5 in

Weight 0.05 lb / 22 g

Width 1.18 in

Length 1.57 in

Height 0.75 in

Reverse power installation protection

USB Connector Locking Mechanism

MTBF > 300,000 hrs

DO-160G Qualified

## Ordering Information

Reference Number - Part Description

11-11872 AERO USB Charger

## Qualifications

INGENIO Aerospace is approved and licensed by Apple for both MFi development and manufacturing of electronic accessories

Made for



iPod



iPhone

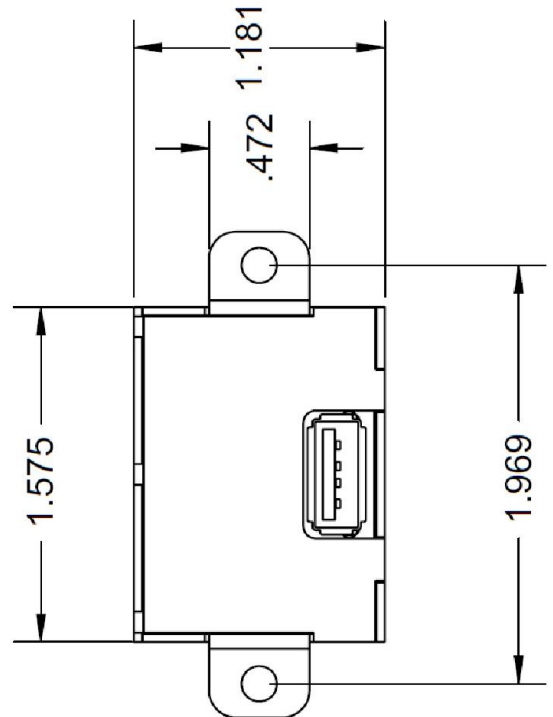
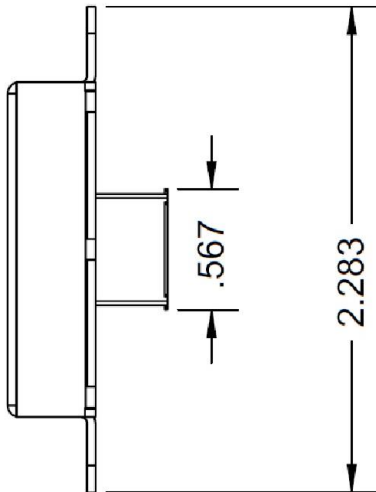
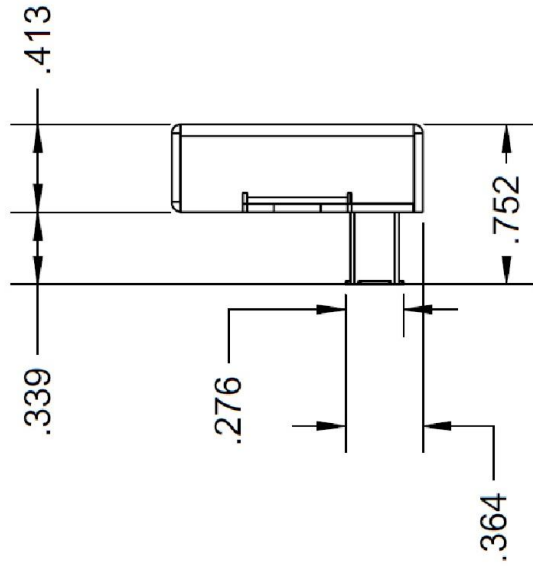
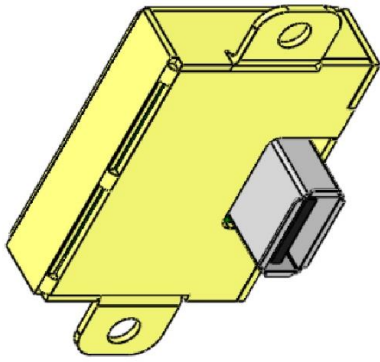


iPad

## Representative



www.aircraftspruce.com



Mechanical Drawing  
AERO USB Charger

**Note:** All dimensions are expressed in inches.

© Copyright 2012 INGENIO Aerospace Inc. All Rights Reserved.