

TRUE BLUE POWER®

A division of Mid-Continent Instrument Co., Inc.

Dual USB Charging Port

TA102 Series

Manufactured by Mid-Continent Instrument Co., Inc.

The TSO-certified TA102 Series simultaneously provides 2 amps of power per charging port to any consumer product requiring a USB interface.



Plug in and power up with the TA102 Series USB charging port. Smartphones, tablets, iPads and electronic flight bags stay fully charged and connected to weather data, traffic, charts, approach plates and text communication.

The compact TA102 Series is easy to install and leaves a small footprint in the panel or cabin wall. It protects itself and the charging device from short circuit, power surges and temperature overload.

In-seat, cabin and cockpit USB power

Product features

OUTPUT CURRENT	2.1 amps per port
INPUT VOLTAGE	10 – 32 VDC
OUTPUT VOLTAGE	5 VDC \pm 0.25 per port
EFFICIENCY	Charge one or two products simultaneously at full power
PROTECTION	Short circuit, power surges, overload and over temperature
DESIGNED AND MANUFACTURED	Wichita, Kansas, USA
WARRANTY	Limited Lifetime Warranty

True Blue Power offers a complete line of USB charging ports. They are available in a variety of mounting options and configurations. This includes single and dual port, lighted and non-lighted units.

USB-A USB-C USB-C PD

Kansas

9400 East 34th Street North
Wichita, Kansas 67226 USA
Tel 316.630.0101 800.821.1212
Fax 316.630.0723
tbp@mcico.com

California

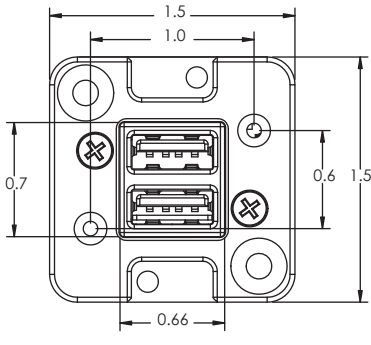
16320 Stagg Street
Van Nuys, California 91406 USA
Tel 818.786.0300 800.345.7599
Fax 818.786.2734
tbp@mcico.com

truebluepowerusa.com

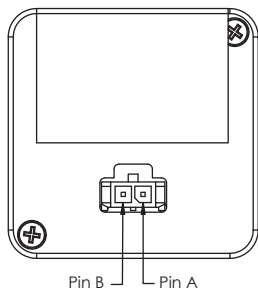
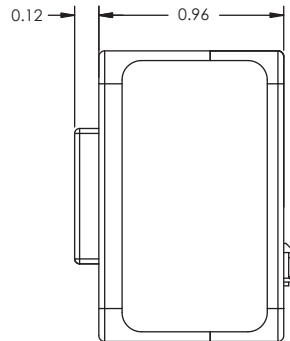
Dual USB Charging Port

TA102 Series

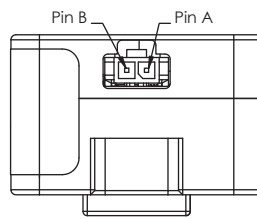
Manufactured by Mid-Continent Instrument Co., Inc.



Inch Scale



Rear Power Input



Bottom Power Input

Technical specifications

INPUT VOLTAGE	10 – 32 VDC
INPUT CURRENT	24 W max; 1.7 amps at 14 VDC / 0.85 amps at 28 VDC
OUTPUT VOLTAGE	5 VDC ± 0.25 per port
OUTPUT CURRENT	2.1 amps per port
WEIGHT	2.1 ounces (59 grams)
DIMENSIONS	1.5" W x 1.5" H x 0.96" D
USB CONNECTOR	USB-A Dual configurations
MATING CONNECTOR KIT	MCI P/N 9017960 (included)
MOUNTING	Front or rear; faceplates and adapter plates (optional)
INSTALLATION	In-seat, cabin and cockpit
CASE	Anodized aluminum, blue (-3 and -4 black/blue)
CERTIFICATION	FAA TSO C71 EASA ETSO C71 RTCA DO-160G

USB Charging Port Configurations

Part #	Lighting	Power Input	USB Connector
6430102-1	Non-lighted	Rear	Dual USB-A
6430102-2	Non-lighted	Bottom	Dual USB-A
6430102-3	Lighted	Rear	Dual USB-A
6430102-4	Lighted	Bottom	Dual USB-A

Adapter Plates

Part #	Mounting	Shape	Size
9017945	Rear	Circular	1.125" diameter
9017947	Rear	Instrument	2.25" diameter

Faceplates

Part #	Mounting	Shape	Size
9017946	Front	Square	1.75" W x 1.75" H
9017957	Rear	Square	1.35" W x 1.35" H
9019384-4	Rear	Circular	1.50" diameter



Faceplate color and finish can be customized to complement the aircraft's interior