

TRUE BLUE POWER®

A division of Mid-Continent Instrument Co., Inc.



INSTALLATION MANUAL AND OPERATING INSTRUCTIONS

TA102 Series Dual USB Charging Port



True Blue Power®
a division of Mid-Continent Instrument Co., Inc.
dba Mid-Continent Instruments and Avionics
9400 E. 34th Street N.
Wichita, KS 67226

Manual number 9017942
Rev E, Nov 15, 2013

FOREWORD

This manual provides information intended for use by persons who, in accordance with current regulatory requirements, are qualified to install this equipment. If further information is required, please contact:

True Blue Power
c/o Mid-Continent Instrument Co., Inc.
Attn: Customer Service Dept.
9400 E. 34th St. N.
Wichita, KS 67226 USA
Phone 316-630-0101
Fax 316-630-0723
www.truebluepowerusa.com
www.mcico.com

We welcome your comments concerning this manual. Although every effort has been made to keep it free of errors, some may occur. When reporting a specific problem, please describe it briefly and include the manual part number, the paragraph/figure/table number and the page number. Send your comments to:

True Blue Power
c/o Mid-Continent Instrument Co., Inc.
Attn: Technical Publications
9400 E. 34th St. N.
Wichita, KS 67226 USA
Phone 316-630-0101
Fax 316-630-0723

REVISION HISTORY

Rev.	Date	Approved	Detail
A	04/19/13	BAW	Initial release.
B	05/30/13	BMC	Updates driven by internal review.
C	08/22/13	TKV	Added Circular Rear Mount option and kit details, added configurations -2, -3, and -4.
D	11/1/13	TKV	Added two additional pins to installation kit and information regarding a recommended crimp tool.
E	11/14/13	TKV	Added information about adhesive for Front Mount Kit. Added information about ETSO certification.

TABLE OF CONTENTS

SECTION 1 GENERAL DESCRIPTION

- 1.1 INTRODUCTION
- 1.2 TECHNICAL SPECIFICATIONS
 - 1.2.1 ELECTRICAL ATTRIBUTES
 - 1.2.2 PHYSICAL ATTRIBUTES
 - 1.2.3 QUALIFICATIONS

SECTION 2 PRE-INSTALLATION CONSIDERATIONS

- 2.1 COOLING
- 2.2 EQUIPMENT LOCATION
- 2.3 ROUTING OF CABLES
- 2.4 LIMITATIONS

SECTION 3 INSTALLATION PROCEDURES

- 3.1 GENERAL INFORMATION
- 3.2 UNPACKING AND INSPECTING
- 3.3 CABLE HARNESS
 - 3.3.1 WIRE GAUGE SELECTION
 - 3.3.2 PIN ASSIGNMENT INFORMATION
 - 3.3.3 HARNESS VERIFICATION
- 3.4 MOUNTING
- 3.5 INSTALLATION COMPLETION

SECTION 4 OPERATION

- 4.1 ELECTRICAL PERFORMANCE
- 4.2 PROTECTIVE FEATURES
 - 4.2.1 SHORT CIRCUIT PROTECTION
 - 4.2.2 OVER-CURRENT PROTECTION
 - 4.2.3 LOW INPUT VOLTAGE SHUTDOWN
 - 4.2.4 OVER-TEMPERATURE

SECTION 5 CONFORMANCE

- 5.1 CONTINUED AIRWORTHINESS STATEMENT
- 5.2 ENVIRONMENTAL QUALIFICATION STATEMENT

SECTION 1 GENERAL DESCRIPTION

1.1 INTRODUCTION

The TA102 Series Dual USB Charging Port is a certified accessory that converts 10 to 32 volts of DC electrical input from the aircraft to standard 5V power for any electronic product that charges using a USB connector. The TA102 provides two Universal Serial Bus-A (USB-A) ports and can be rear mounted or front mounted in a variety of locations throughout the aircraft. The unit is certified to FAA TSO C71 and qualified to multiple RTCA DO-160 requirements, providing confidence and allowing installation in the instrument panel of the cockpit. It is also flexible enough to be front mounted in multiple cabin locations with an attractive cover plate for a clean, finished look.

This Dual USB Charging Port is designed as a DCP (Dedicated Charging Port) to industry-standard protocol per the *USB Battery Charging 1.2 Compliance Plan*. Early-generation or smaller consumer electronics typically accept one (1.0) amp of power during charging. However, newer electronics, such as the Apple iPad, other tablets and larger devices can accept and, in some cases, require up to 2.1 amps of power to charge and operate. As a high power DCP, the TA102 can provide up to 2.1 amps of power to charge any USB device, including the higher demand products. Unlike most dual USB chargers which provide one (1.0) amp on one port and 2.1 amps on the second port, the TA102 can provide 2.1 amps of power to both ports simultaneously. With features like short circuit protection, over-current protection, low voltage shut-down and temperature monitoring, it can handle unforeseen conditions safely.

Small, compact and powerful, with plenty of installation flexibility, the TA102 is an ideal choice when selecting a highly useful and effective addition for any aircraft.

1.2 TECHNICAL SPECIFICATIONS

1.2.1 ELECTRICAL ATTRIBUTES

Input Voltage:	10-32 VDC
Input Power:	24 watts max; 1.7 amps @ 14 VDC / 0.85 amps @ 28 VDC
Output Voltage:	5 VDC \pm 0.25 per port
Output Power:	2.1 amps max per port
Efficiency:	~85% nominal

Table 1.1

1.2.2 PHYSICAL ATTRIBUTES

Weight:	0.2 pounds
Dimensions: (not including connector)	1.50 inches wide X 1.50 inches high X 0.96 inches deep
Charging Ports Type:	USB Standard-A
Connector Kit:	MCIA P/N 9017960
Mounting:	Panel mount; rear or front
Lighting:	Optional (-3, -4 Configurations)

Table 1.2

1.2.3 QUALIFICATIONS

Certification:	FAA TSO-C71
	EASA ETSO-C71
Environmental Qualification:	RTCA DO-160G Environmental Category F1S2BB[(RCC1)(UG)]XXXXXX[B(XX)]BRXXMXXXAX

Table 1.3

SECTION 2 PRE-INSTALLATION CONSIDERATIONS

2.1 COOLING

No external cooling is required. The unit will become warm when in use. This is normal and within operational parameters. No special mounting considerations are required; however, mounting to a metal surface can help dissipate any heat generated and extend the life of the product.

2.2 EQUIPMENT LOCATION

The TA102 Dual USB Charging Port is designed for mounting flexibility, allowing for installation in the cockpit or in the cabin. It is designed for panel mounting and can be installed in a rectangular or circular rear mount configuration or, with an available installation kit, can be front mounted with a cosmetic cover plate. An instrument mounting adapter bracket is also available to easily mount the unit in a standard 2-inch round instrument opening that may already exist in the cockpit panel. There are two versions to choose from which allow the input connector to be located either on the rear of the unit or from the bottom.

The unit can be mounted in any orientation. Clearance should be provided for the mating connector which may require an additional inch beyond the rear of the unit.

2.3 ROUTING OF CABLES

Avoid sharp bends in cabling and routing near aircraft control cables. Avoid close proximity and contact with aircraft structures, avionics equipment or other obstructions that could chafe wires during flight and cause undesirable effects.

2.4 LIMITATIONS

Environmental qualifications were verified per RTCA DO-160, Revision G in lieu of those identified within the minimum performance standards (MPS) of the TSO.

The conditions and tests for TSO approval of this article are minimum performance standards. Those installing this article, on or in a specific type or class of aircraft, must determine that the aircraft installation conditions are within the TSO standards, specification of the article and deviations as listed above. TSO articles must have separate approval for installation in an aircraft. The article may be installed only according to 14 CFR part 43 or the applicable airworthiness requirements.

PN	Power Input	USB Connector
6430102-1	Rear	Sealed
6430102-2	Bottom	Sealed
6430102-3	Rear	Lighted
6430102-4	Bottom	Lighted

TABLE 2.1
TA102 Configurations

SECTION 3 INSTALLATION PROCEDURES

3.1 GENERAL INFORMATION

This section contains interconnect diagrams, mounting dimensions and other information pertaining to the installation of the TA102 Dual USB Charging Port. After installation of cabling and before installation of the equipment, ensure that power and ground are applied to the proper pins specified in Section 3.3.2, Pin Assignment Information.

3.2 UNPACKING AND INSPECTING EQUIPMENT

When unpacking this equipment, make a visual inspection for evidence of any damage that may have occurred during shipment. The following parts should be included:

- | | |
|-------------------------------------|----------------------|
| a. Dual USB Charging Port | MCIA P/N 6430102-() |
| b. Connector Kit | MCIA P/N 9017960 |
| i. Mating Connector, 2-pin | |
| ii. Pins (4) (2 required, 2 spares) | |
| iii. Screws, #4-40 flat-head (2) | |
| c. Installation Manual | MCIA P/N 9017942 |

Optional Equipment Available:

- | | |
|---|------------------|
| a. Circular Rear Mount Installation Kit | MCIA P/N 9017945 |
| b. Front Mount Installation Kit | MCIA P/N 9017946 |
| c. Instrument Mount Adapter Kit | MCIA P/N 9017947 |

Equipment Not Provided:

- | | |
|--|--|
| a. Cable Harness Wire | See Section 3.3.1 for specifications |
| b. Circuit Breaker Recommendation
(as needed per system requirements) | 2 amp (1 amp may be sufficient for 28V aircraft) |

3.3 CABLE HARNESS

Construct the cable harness following the instructions outlined below and per Figure 3.1. Refer to Section 2: Pre-Installation Considerations, for routing precautions.

3.3.1 WIRE GAUGE SELECTION

Use of PTFE, ETFE, TFE, Teflon or Tefzel insulated wire is recommended for aircraft use. The wire harness should utilize 20-24 AWG stranded wire. Refer to table 3.1 below.

Wire Gauge	Wire Length
20 AWG stranded wire	>35 ft
22 AWG stranded wire	>14 ft
24 AWG stranded wire	<14 ft

TABLE 3.1
Wire Gauge and Length

Note: Pins should be crimped using Molex Hand Crimp Tool 63819-0000 (Preferred), 63811-2800 (obsolete) or 11-01-0200 (obsolete). See the Molex Hand Crimp Tool User Manual for crimp procedures.

3.3.2 PIN ASSIGNMENT INFORMATION

INPUT POWER:

Pin A (keyed) – Positive DC input +10 to 32 VDC power

Pin B – Negative DC input / ground

3.3.3 HARNESS VERIFICATION

WARNING:

Failure to install aircraft power and ground wires in the proper mating connector locations will permanently damage the unit.

Once the cable harness is prepared, prior to connecting the TA102, activate the aircraft power bus and use a multimeter to verify that aircraft power and ground is supplied with appropriate voltage on the proper pins within the mating harness.

3.4 MOUNTING

The TA102 can be installed in one of four ways:

- rear mount, rectangular
- rear mount, circular *
- instrument mount *
- front mount *

* installation kit required. See Section 3.2, Optional Equipment Available for part number reference

Prepare the panel cutout as shown in Figures 3.3, 3.4, 3.5 or 3.6 per the selected mounting option.

- For Rear Mount, Circular Rear Mount and Instrument Mount Installations countersinks in the panel for flat head screws are optional. However, flat head screws are provided for flush appearance.
- For Rear Mount Installations:
Mounting screws length MUST be between (PT + 0.150") and (PT + 0.312"). [PT = panel thickness]
Mounting screws provided with the unit are 0.312".
- For Circular Rear Mount Installations:
Mounting screws length MUST be between (PT + 0.200") and (PT + 0.375"). [PT = panel thickness]
Mounting screws provided with the Circular Rear Mount Install Kit are 0.438".
- For Front Mount Installations: Maximum panel thickness is 0.25".

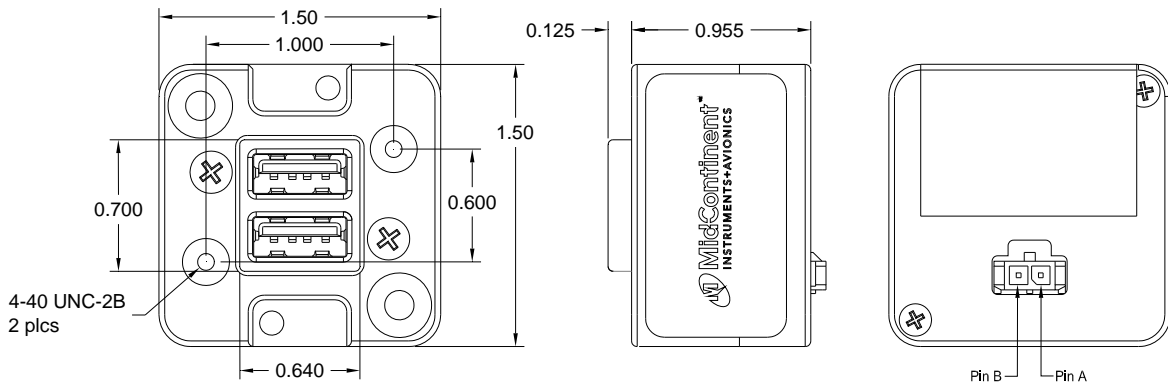


FIGURE 3.2
TA102 Outline Drawing
(-1 version shown)

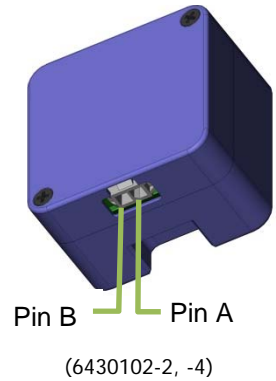
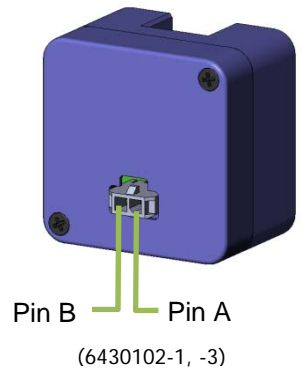


FIGURE 3.1
Power Input

3.5 INSTALLATION COMPLETION

Prior to operating the unit in the aircraft, it is recommended to verify the output and functionality of the unit. In order to prevent accidental damage to other systems, it is not recommended to attach the output to other equipment prior to verification. Verify the output of the unit at the terminating end of the cable with a multimeter to ensure proper voltage and polarity. Once verified, installation can be completed and functionality should be checked.

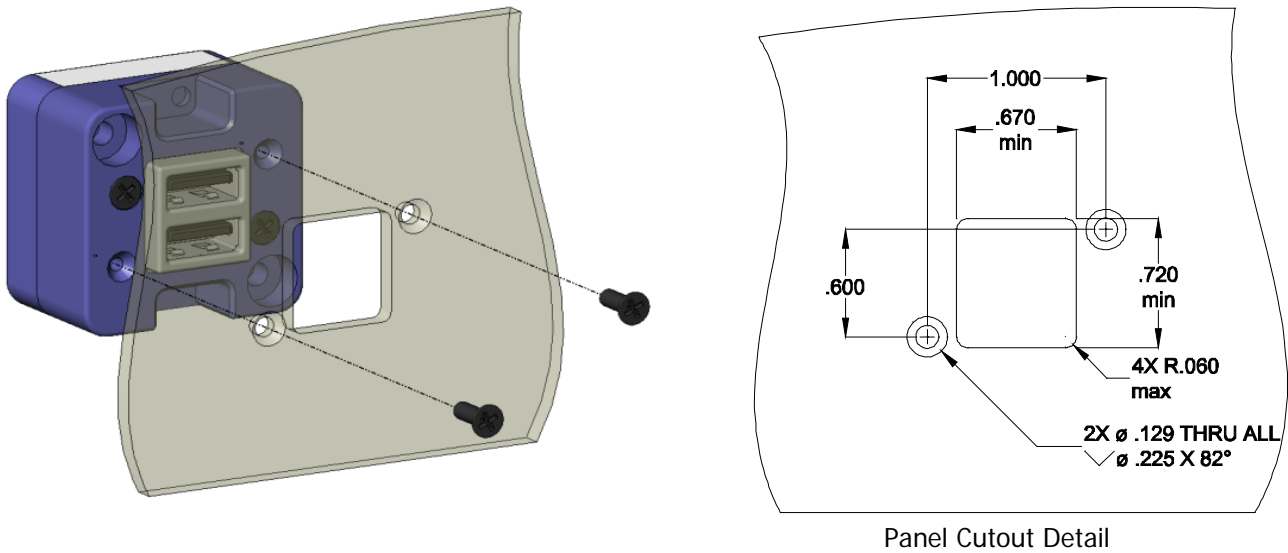


FIGURE 3.3
Rear Mount Installation

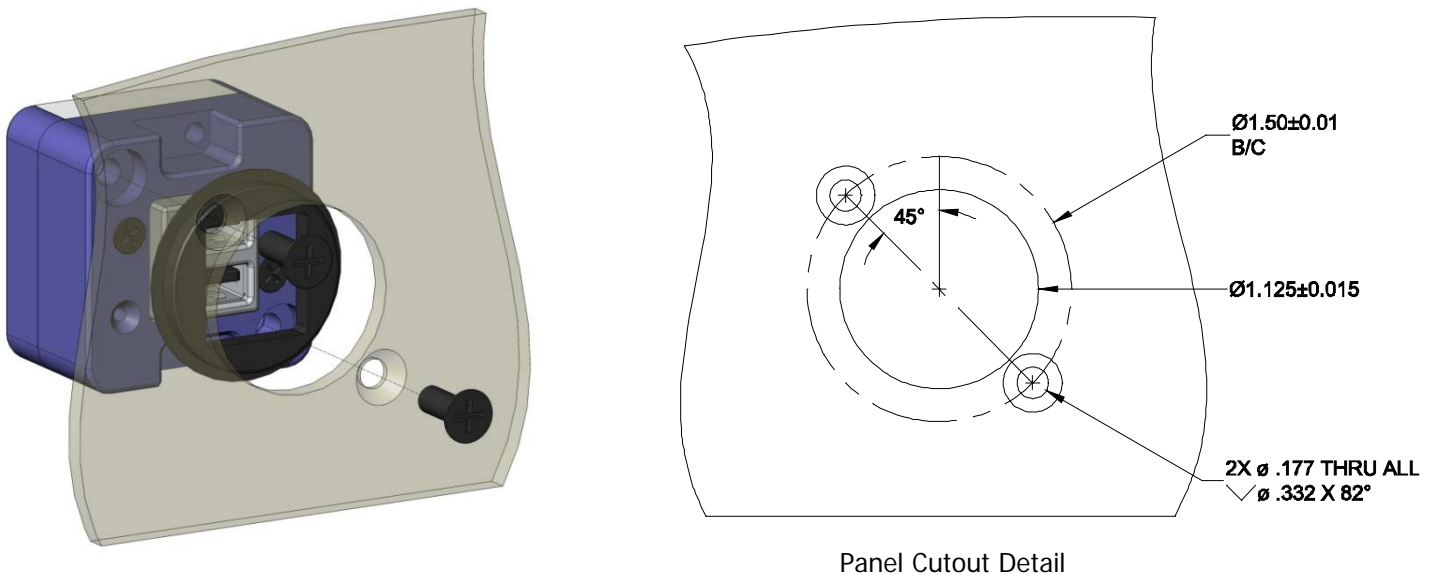


FIGURE 3.4
Circular Rear Mount Installation

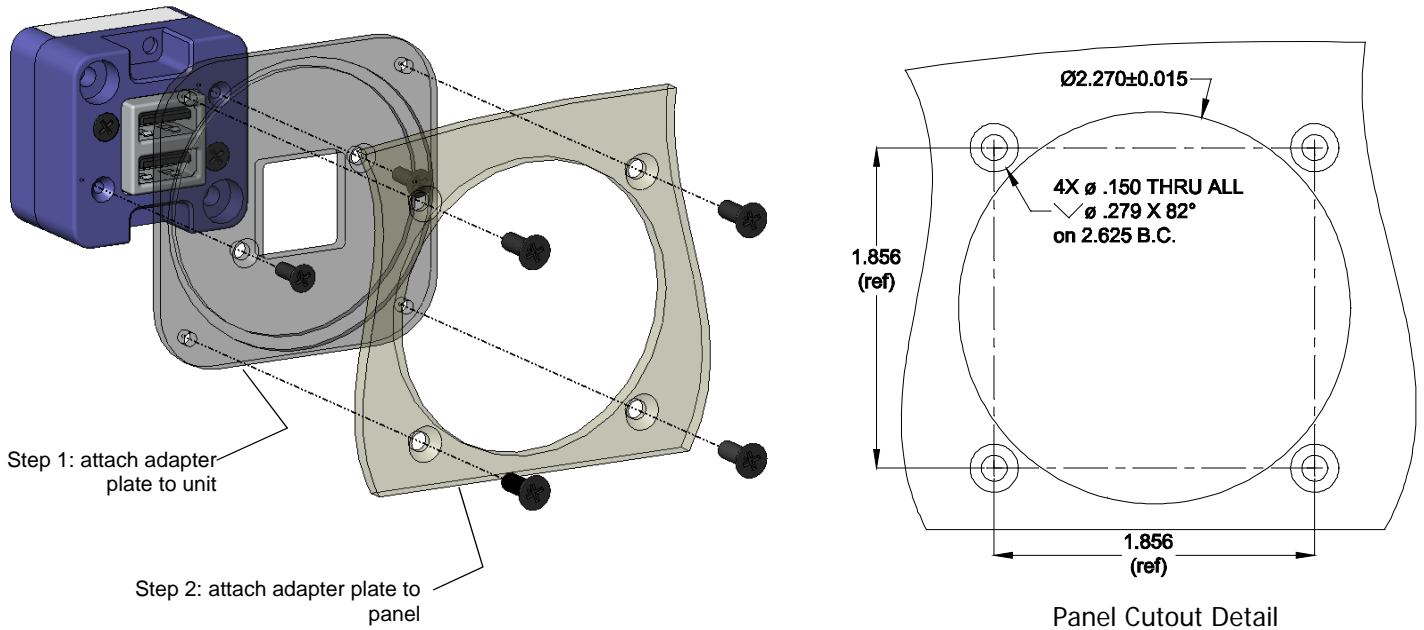


FIGURE 3.5
Instrument Mount Installation

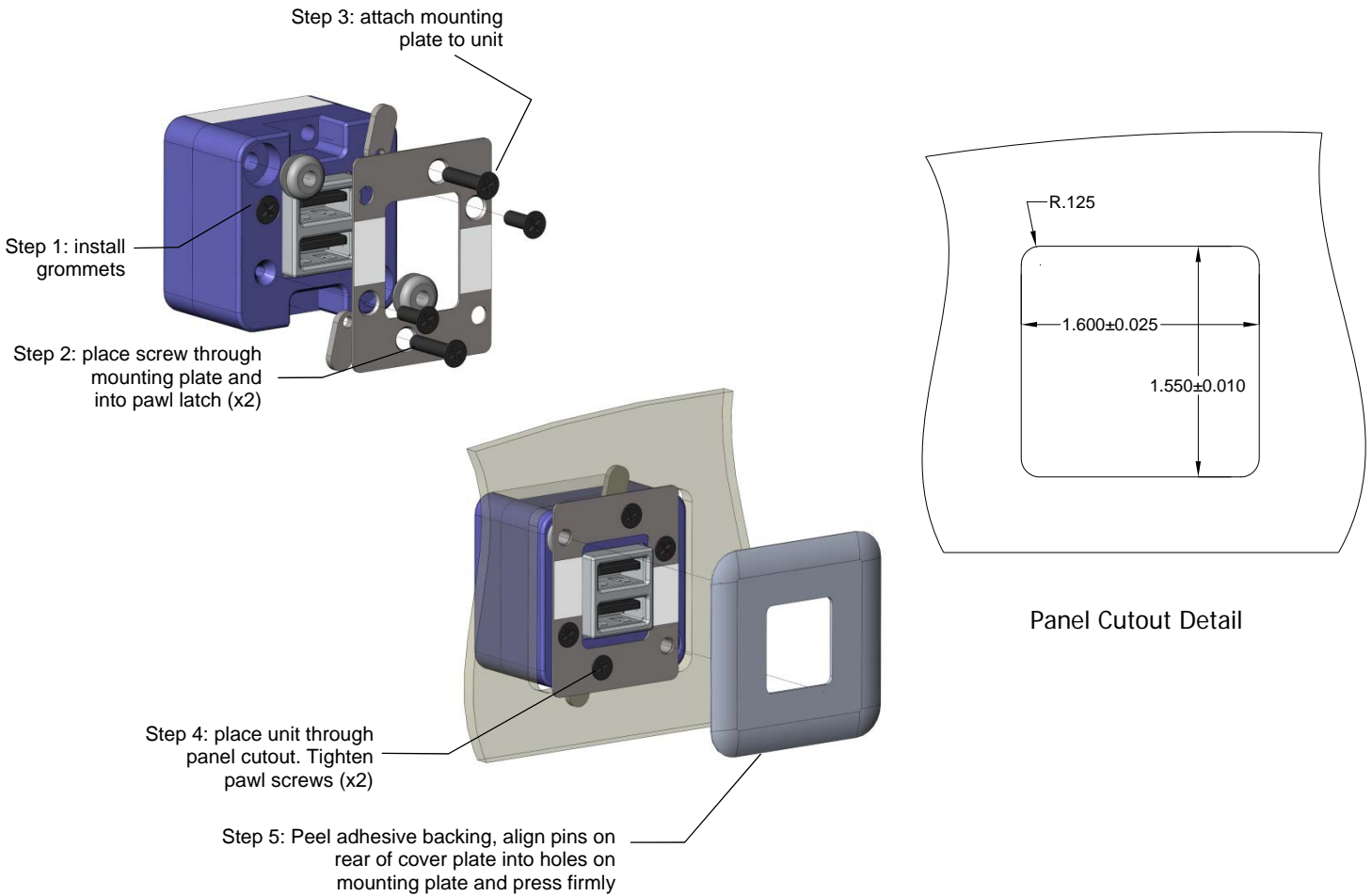


FIGURE 3.6
Front Mount Installation

SECTION 4 OPERATION

4.1 ELECTRICAL PERFORMANCE

The TA102 Series Dual USB Charging Port converts an aircraft (DC) input voltage within the range specified to a 5V (DC) output. This output power is applied to a dual USB-A connector in accordance with the *USB Implementers Forum*.

The USB D+ and D- data lines communicate with the USB portable device to tell the device it is a dedicated charging port (DCP), capable of a higher current than a standard USB port. This allows the USB portable device to draw up to 2.1 Amps.

The unit is designed as a DC-to-DC converter with a series switch on each output to regulate current applied to that output. Each series switch independently reduces the output current to a safe level if the USB portable device draws excess current, is shorted or has a fault.

If the temperature of the TA102 becomes elevated due to a fault or excessive load, the device will seamlessly communicate with the USB portable device to lower the charge current. This allows the device to continue charging while the unit returns to a temperature within designed limits. When the temperature returns to a safe level the TA102 will automatically reestablish the higher charge current level with the device and continue charging.

4.2 PROTECTIVE FEATURES

4.2.1 **SHORT CIRCUIT PROTECTION**

The TA102 is capable of surviving a short circuit event without permanent damage. The unit goes into an over-current condition so that the average current is significantly reduced and the device is protected.

4.2.2 **OVER-CURRENT PROTECTION**

The TA102 monitors the current draw individually on each port. During an over-current condition the voltage is reduced. If the voltage falls below 3.8 VDC the output is turned off for a period of 12 seconds. The output is then checked for continued over-current conditions every 16 milliseconds. This condition is referred to as a hiccup mode. The device stays in this mode until the over-current condition is removed, then returns to normal operation.

4.2.3 **LOW INPUT VOLTAGE SHUTDOWN**

If the input voltage applied to the TA102 drops below 10 VDC the unit will shut down until the applied voltage returns to a level within range.

4.2.4 **OVER-TEMPERATURE**

When the temperature of the TA102 becomes elevated, the unit communicates with the USB portable device to reduce the charge current output (1 amp limit). When the temperature returns to an acceptable level the unit automatically returns to a higher charge current as required (up to 2.1 amps).

SECTION 5 CONFORMANCE

5.1 CONTINUED AIRWORTHINESS STATEMENT

No periodic scheduled maintenance or calibration is necessary for continued airworthiness of the TA102 series Dual USB Charging Port. If the unit fails to perform to specifications, the unit must be removed and serviced by Mid-Continent Instruments and Avionics or their authorized designee.

5.2 ENVIRONMENTAL QUALIFICATION STATEMENT

MODEL NUMBER: TA102 Series **PART NUMBER:** 6430102-()
NOMENCLATURE: Dual USB Charging Port
CERTIFICATION: FAA TSO-C71
MANUFACTURER: True Blue Power, a division of Mid-Continent Instrument Co., Inc.
ADDRESS: 9400 E. 34th St. North, Wichita, KS 67226, USA.
MANUFACTURERS SPECIFICATIONS:
 Minimum Performance Specifications: TS102 (03/2013), TDS102 (03/2013)
 Qualification Test Reports: QTR1401-1402, QTR1404-1408, QTR1415-1416
RTCA DO-160: Rev G, dtd 12/08/10 **DATES TESTED:** 03/2013-04/2013

CONDITIONS	SECTION	DESCRIPTION OF TEST
Temperature and Altitude	4	Category F1
Low Temperature	4.5.1	Operating Low Temp = -40°C
High Temperature	4.5.3	Short Time Operating High Temp = +70°C
High Temperature	4.5.4	Normal Operating High Temp = +55°C
Altitude	4.6.1	Altitude = 55K feet
Temperature Variation	5	Category S2
Humidity	6	Category B
Operational Shock and Crash Safety	7	Category B
Vibration	8	Fixed Wing: Category R, Curves C, C1 Helicopter: Category U, Curve G [(RCC1)(UG)]
Explosion	9	Category X
Waterproofness	10	Category X
Fluids	11	Category X
Sand and Dust	12	Category X
Fungus	13	Category X
Salt Spray	14	Category X
Magnetic Effect	15	Category Y
Power Input	16	Category B(XX)
Voltage Spike	17	Category B
Audio Freq Conducted Susceptibility	18	Category R
Induced Signal Susceptibility	19	Category X
Radio Frequency Susceptibility	20	Category X
Emission of Radio Frequency Energy	21	Category M
Lightning Induced Transient Susceptibility	22	Category X
Lightning Direct Effects	23	Category X
Icing	24	Category X
ESD	25	Category A
Fire, Flammability	26	Category X

REMARKS:
 Sections 4: Category F1 Continuous Operating Low Temperature (-20°C) performed at Short-time Low temperature (-40°C).