

8

7

6

5

4

3

2

1

NOTES:

REVISION		
DATE	DESCRIPTION	REV
9/30/13	INITIAL RELEASE	A

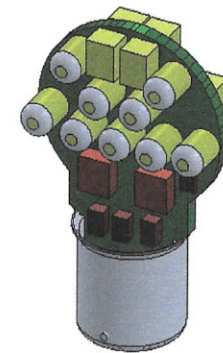
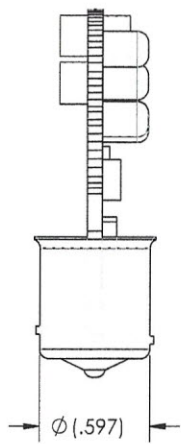
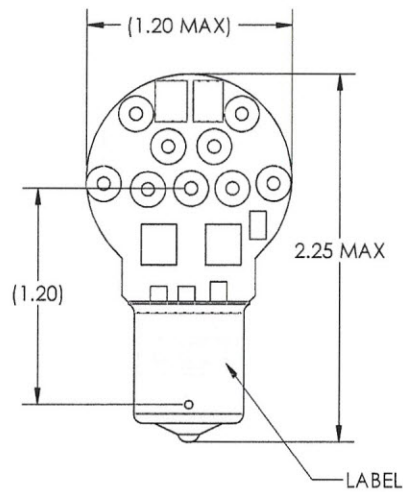
PHOTOMETRIC AND ELECTRICAL SPECIFICATIONS					HORIZONTAL BEAM INTENSITY - MEETS FAR 21.1391-97				
PART #	COLOR	VOLTAGE	CURRENT	WATTAGE	0 DEGREE	10 DEGREE	45 DEGREE	90 DEGREE	110 DEGREE
P7512-14VR	RED	14V	.12a	1.68	70cd	50cd	25cd	15cd	15cd
P7512-14VG	GREEN	14V	.1a	1.4	90cd	55cd	20cd	12cd	10cd
P7512-28VR	RED	28V	.08a	1.8	70cd	50cd	25cd	15cd	15cd
P7512-28VG	GREEN	28V	.07a	1.7	90cd	55cd	20cd	12cd	10cd

MATERIALS:

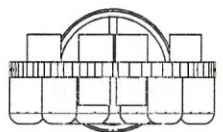
BASE: NICKEL PLATED BRASS BAY15S
 PWB: FR4 UL94 V-0
 SOLDER: 95Pb4Sn1Ag
 LEDES: PMMA CREE
 POWER SUPPLY: LINEAR NON-SWITCHING
 CEMENT: SAURIESEN AI2O3 CERAMIC

SPECIFICATIONS:

WEIGHT: 3 OZ MAX
 FLAMIBILITY: UL94 V-0
 POWER SUPPLY: LINEAR (NON-SWITCHING)
 POWER: 1.8 WATTS MAX
 MOUNTING RESTRICTIONS: NONE
 OPERATING TEMPERATURE: -55 TO 90C AMBIENT
 OPERATING ALTITUDE: SEA-55,000FT



ISO VIEW



PROPRIETARY AND CONFIDENTIAL
 THE INFORMATION CONTAINED IN THIS DRAWING IS THE SOLE PROPERTY OF PSA ENTERPRISES. ANY REPRODUCTION IN PART OR AS A WHOLE WITHOUT THE WRITTEN PERMISSION OF PSA ENTERPRISES IS PROHIBITED.

UNLESS OTHERWISE SPECIFIED:
 DIMENSIONS ARE IN INCHES
 TOLERANCES:
 FRACTIONAL ±
 ANGULAR: MACH ± BEND ±
 TWO PLACE DECIMAL ±
 THREE PLACE DECIMAL ±
 INTERPRET GEOMETRIC TOLERANCING PER:
 MATERIAL
 PART23 AIRCRAFT
 FINISH
 NEXT ASSY USED ON APPLICATION DO NOT SCALE DRAWING

NAME DATE PSA ENTERPRISES, LAKELAND, FL.
 JP 9/30/13
 TITLE:
 JP 9/30/13 **PSA POSITION LIGHT**
 JP 9/30/13
 Q.A. COMMENTS:

SIZE DWG. NO. REV
B 2013-09-001 POSITION LIGHT **A**
 SCALE: 2:1 WEIGHT: SHEET 1 OF 1

8

7

6

5

4

3

2

1