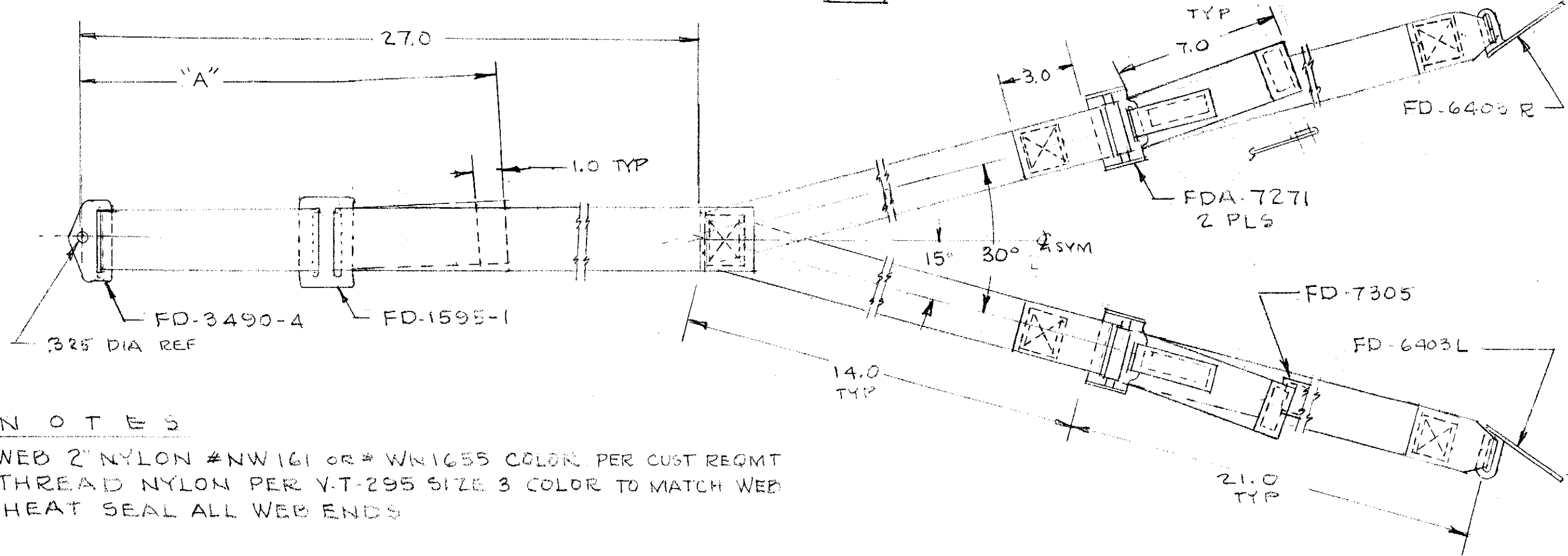


REVISIONS			
LTR	DESCRIPTION	DATE	APP
A	FD-6403R & FD-6403L WAS 62A-125-2 L & R RFE 87-122	6/9/87	NH
B	WEB COLOR WAS BLACK ADD IRWIN REF P/N RFE 87-119	6/11/87	NH
C	"A" WAS 10.00 ADDED TABLE	2/9/05	DD

FDC-7275-72



**NOTES**

- 1- WEB 2" NYLON #NW161 or #WN1655 COLOR PER CUST REQMT
- 2- THREAD NYLON PER V-T-295 SIZE 3 COLOR TO MATCH WEB
- 3- HEAT SEAL ALL WEB ENDS

This document is the intellectual property of Davis Aircraft Products Co., Inc. and is not to be reproduced or used for manufacture without expressed permission in writing from Davis Aircraft Products Co., Inc. Davis reserves all patent and design rights thereto except where specifically granted.

REF: IRWIN E 2884-2/H-65-LT

RFE 85-103

PART NO.	"A"
FDC 7275-72-XXX	17.00
FDC 7275-72-2-XXX	9.00

NEXT ASSY UNLESS OTHERWISE SPECIFIED DIMENSIONS ARE IN INCHES	TOLERANCES ±.5 ±.2°	DRAWN NH 14 MAY 85	DATE	<b>DAVIS AIRCRAFT PRODUCTS CO., INC.</b> BOHEMIA, LI., N.Y. 11716	
	MATERIAL —	CHECKER J	DATE 5-20-85		TITLE SHOULDER HARNESS
	HEAT TREAT —	ENG J	DATE 5/85	DATE 5/85	SIZE B
	FINISH —	APPROVED BTD	DATE 5/85	SCALE 1:4	WT
		<b>DAVIS AIRCRAFT PRODUCTS CO., INC.</b> BOHEMIA, LI., N.Y. 11716		CODE IDENT NO. <b>98313</b>	
				DRAWING NUMBER <b>FDC-7275-72</b>	