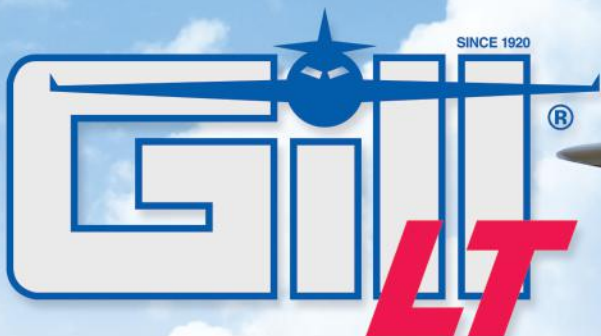


INNOVATION

7242-14

Sealed Aircraft Battery, VRLA, LT Technology, 24V, 14Ah



THE ORIGINAL EQUIPMENT
AIRCRAFT BATTERY

SPECIFICATIONS			
Model	7242-14		
Nominal Voltage, V	24		
One Hour Capacity, C1, Ah	14		
30 Minute Emergency Rate, C/2, A	22		
Weight, Lb. ±3%	29		
Power Performance	23°C (75°F)	-18°C (0°F)	-30°C (-22°F)
I _{pp} , A	1200	720	512
I _{pr} , A	270	230	200



NEW
7242-14
AVAILABLE NOW
AT DISTRIBUTORS

Upgrade to the Next Generation of Lead-Acid Technology!

- ✓ TSO Authorized
- ✓ DO-160E Tested
- ✓ Sealed, VRLA, Non-Spillable
- ✓ 18 Month/1800 Hour Capacity Check Inspection
- ✓ 2 Year Warranty
- ✓ FAA-PMA



TELEDYNE BATTERY PRODUCTS
Everywhere you look™

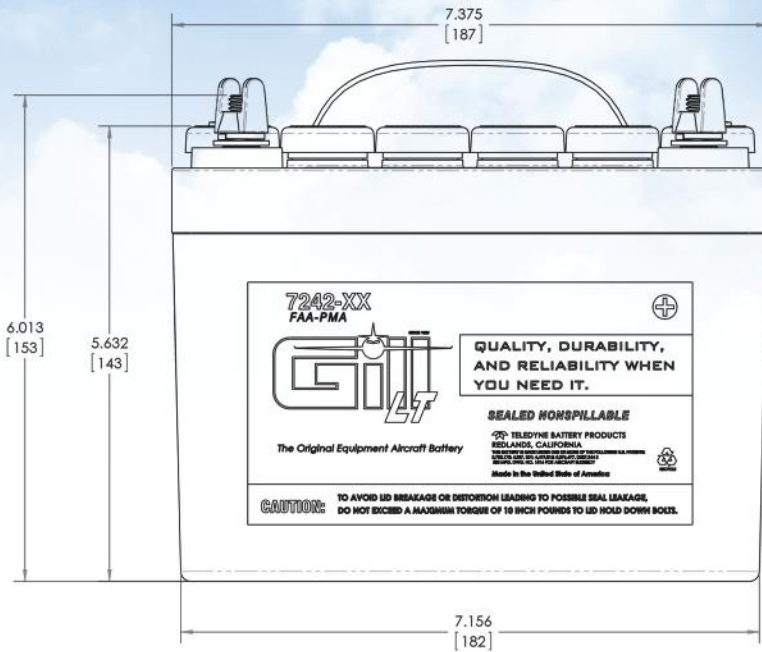
909.793.3131

GILLBATTERIES.COM

Rev 2017/10/05

7242-14

AVAILABLE NOW AT DISTRIBUTORS



FAA-PMA APPROVED

MAKE MODEL

Cessna	F152, FA152, F172N, FR172K, FR182Q, FR182, 152, A152, 172N, R172K, 177B, 177RG, 180K, 182Q, R812, A185F, A188B, T188C, T206H, TU206G, U206G, 207A, T207A, 210M, 210N, 210R, P210N, T210M, T210N, T210R, 337H, FT337HP, P337H, T337H, T337H-SP
Beechcraft	C23, C24R, F33C, V35B, A36, G36, D55, D55A, E55, E55A, 58TC, 58TCA, 76, 95-55, 95-A55, 95-B55, 95-B55A
Mooney	M20J, M20K
Piper	PA-31, PA-31-300, PA-31-325, PA-31-350, PA-36-285, PA-36-300
Socata	TB9, TB10, TB20, TB21, TB200

