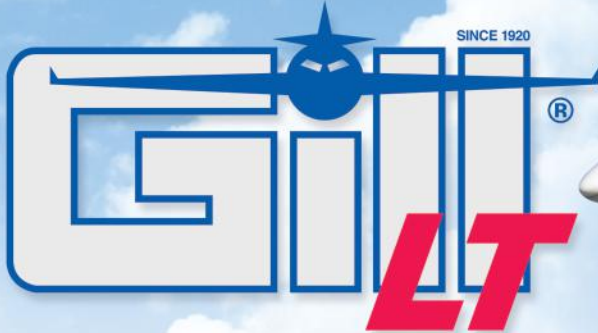


INNOVATION

# 7639-30LT

## Sealed Aircraft Battery, VRLA, LT Technology, 24V, 30Ah



THE ORIGINAL EQUIPMENT  
AIRCRAFT BATTERY

SPECIFICATIONS			
Model	7639-30LT		
Nominal Voltage, V	24		
One Hour Capacity, C1, Ah	30		
30 Minute Emergency Rate, C/2, A	50		
Weight, Lb. ±3%	68		
Power Performance	23°C (75°F)	-18°C (0°F)	-30°C (-22°F)
I <sub>pp</sub> , A	1627	1180	849
I <sub>pr</sub> , A	1173	870	642



**7639-30LT**  
AVAILABLE NOW  
AT DISTRIBUTORS

*Upgrade to the Next Generation of Lead-Acid Technology!*

- ✓ TSO Authorized    ✓ DO-160E Tested    ✓ Sealed, VRLA, Non-Spillable
- ✓ 18 Month/1800 Hour Capacity Check Inspection
- ✓ 2 Year Warranty    ✓ FAA-PMA



TELEDYNE BATTERY PRODUCTS  
Everywhere you look™

909.793.3131

GILLBATTERIES.COM

Rev 2018/2/16

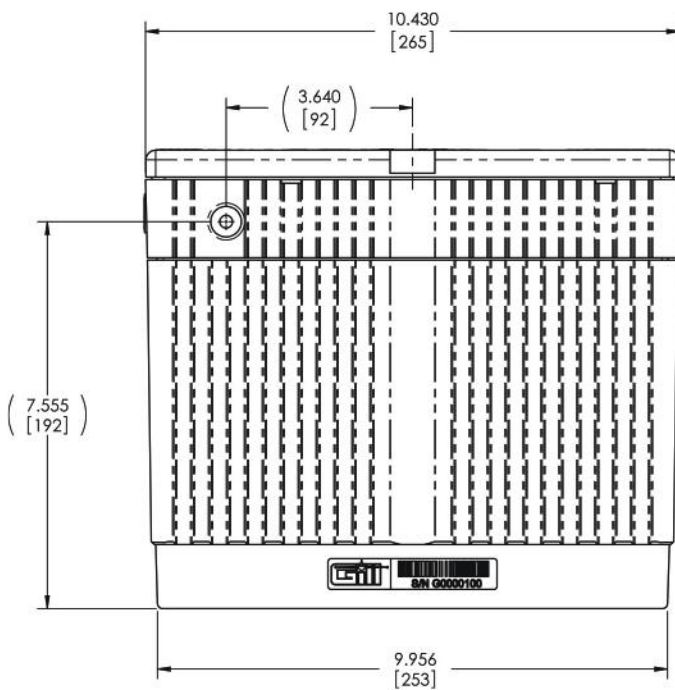
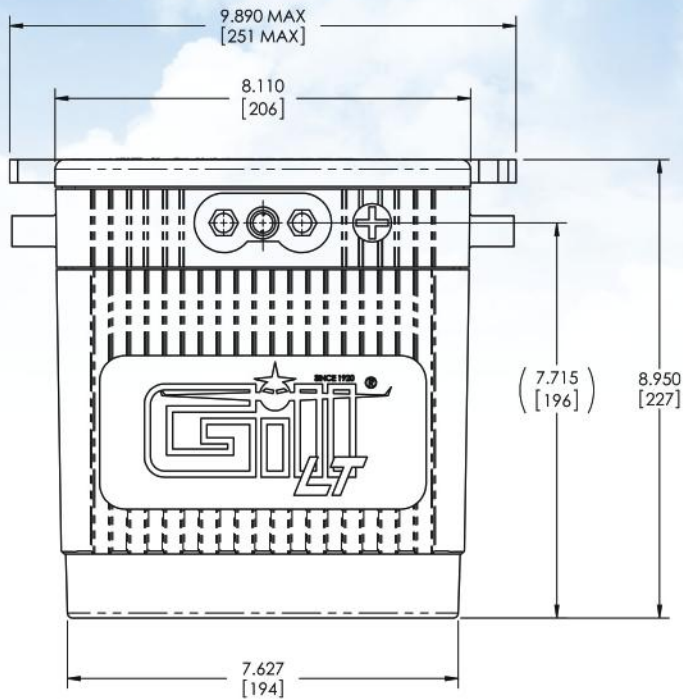
INNOVATION



THE ORIGINAL EQUIPMENT  
AIRCRAFT BATTERY

## 7639-30LT

AVAILABLE NOW AT DISTRIBUTORS



### FAA-PMA

MAKE | MODEL

Cessna | Citation 510 Mustang

Embraer | EMB 500

No STC's or modifications required  
for any of the models listed

 **TELEDYNE BATTERY PRODUCTS**  
Everywhereyoulook™

 **TELEDYNE BATTERY PRODUCTS**  
Everywhereyoulook™

909.793.3131

GILLBATTERIES.COM

