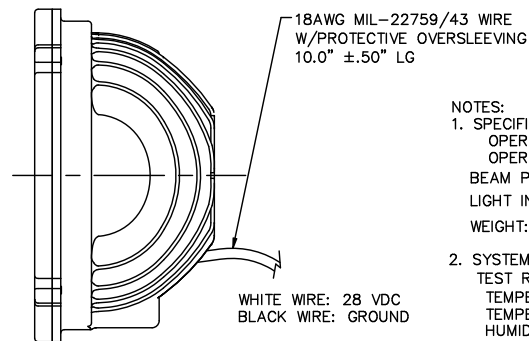
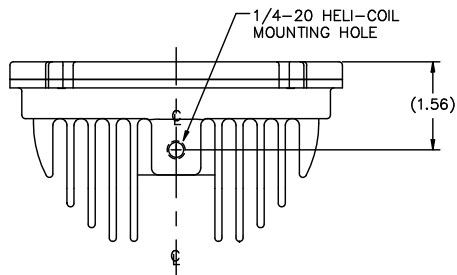
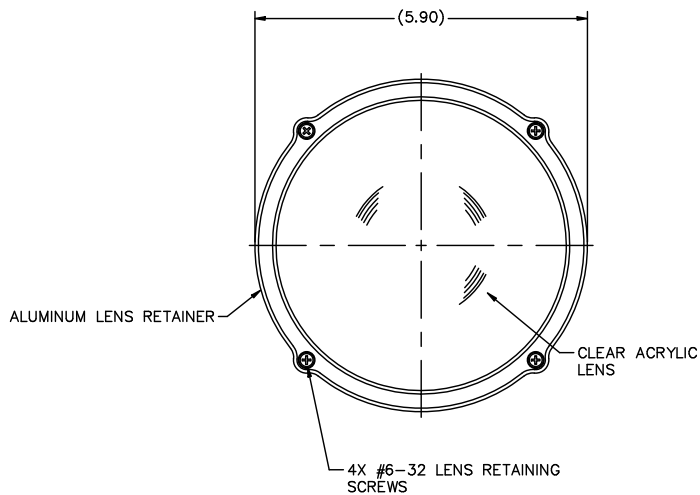
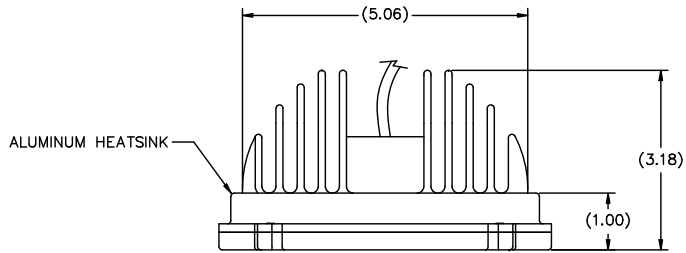


REV	ECN	DESCRIPTION	DATE
A	36358	ADDED SHEET 2 OF 2	5/29/08
B	37160	CLERICAL CHANGE	10/27/08
C	37350	SEE PAGE 2	12/1/08



NOTES:

- SPECIFICATIONS:
 OPERATING VOLTAGE: 28VDC NOMINAL
 OPERATING CURRENT: 3.0 AMPS NOMINAL
 BEAM PATTERN: 7- 8° APPROXIMATE
 LIGHT INTENSITY: 140,000 CANDELA NOMINAL
 WEIGHT: 2.2 lbs
- SYSTEM COMPLIES WITH THE FOLLOWING ENVIRONMENTAL TEST REQUIREMENTS IN ACCORDANCE WITH RTCA/DO-160e:
 TEMPERATURE/ALTITUDE: SECT. 4, CAT. F2
 TEMPERATURE VARIATION: SECT. 5, CAT. S2
 HUMIDITY: SECT. 6, CAT. C
 SHOCK: SECT. 7, CAT. A
 VIBRATION: SECT. 8, CAT. R, CURVE E, E1
 EXPLOSIVE ATMOSPHERE: SECT. 9, CAT. H
 WATERPROOFNESS: SECT. 10, CAT. S
 ICING: SECT. 24, CAT. A

EMI/RFI

POWER INPUT: SECT. 16, CAT. Z
 VOLTAGE SPIKE: SECT. 17, CAT. A
 RF EMISSIONS: SECT. 21, CAT. H

- TEST PER ATP 05302

*	*	01-0790353-20	FINAL ASSY, EXT LED LANDING LT BLACK
*	*	01-0790353-00	FINAL ASSY, EXT LED LANDING LT NATURAL
*	*	01-0790352-20	EXT LED LANDING LIGHT 6" LED BLACK
*	*	01-0790352-00	EXT LED LANDING LIGHT 6" LED NATURAL
QTY.	ITEM	PART NUMBER	DESCRIPTION
<small>THIS DRAWING IS PROPRIETARY TO THE WHELEN ENG. CO. INC. ANY REPRODUCTION, DISCLOSURE OR USE OF THIS DRAWING WITHOUT WRITTEN AUTHORIZATION FROM WHELEN ENG. CO. INC. IS PROHIBITED.</small>			
<small>WHELEN ENGINEERING CORPORATION 100 ROUTE 145 CHESTER, CT 06412-0884 TEL: (860)266-1000 FAX: (860)266-1054</small>			EXTERNAL LED LANDING LIGHT 6" LED
<small>TOLERANCES: UNLESS OTHERWISE SPECIFIED ANGLES: 45°</small>			
DR.	KCT	SCALE	DATE
ENL.	TJC	1:1 (D-SIZE)	7/19/07
ENL.	TJC	REV	DATE
ENL.	TJC	90352	3/28/07
APP.	TJC	REV	DATE
APP.	TJC	C	1
© 2007 WHELEN ENG. CO. INC. (DATE CODE 10402)		APP.	TJC