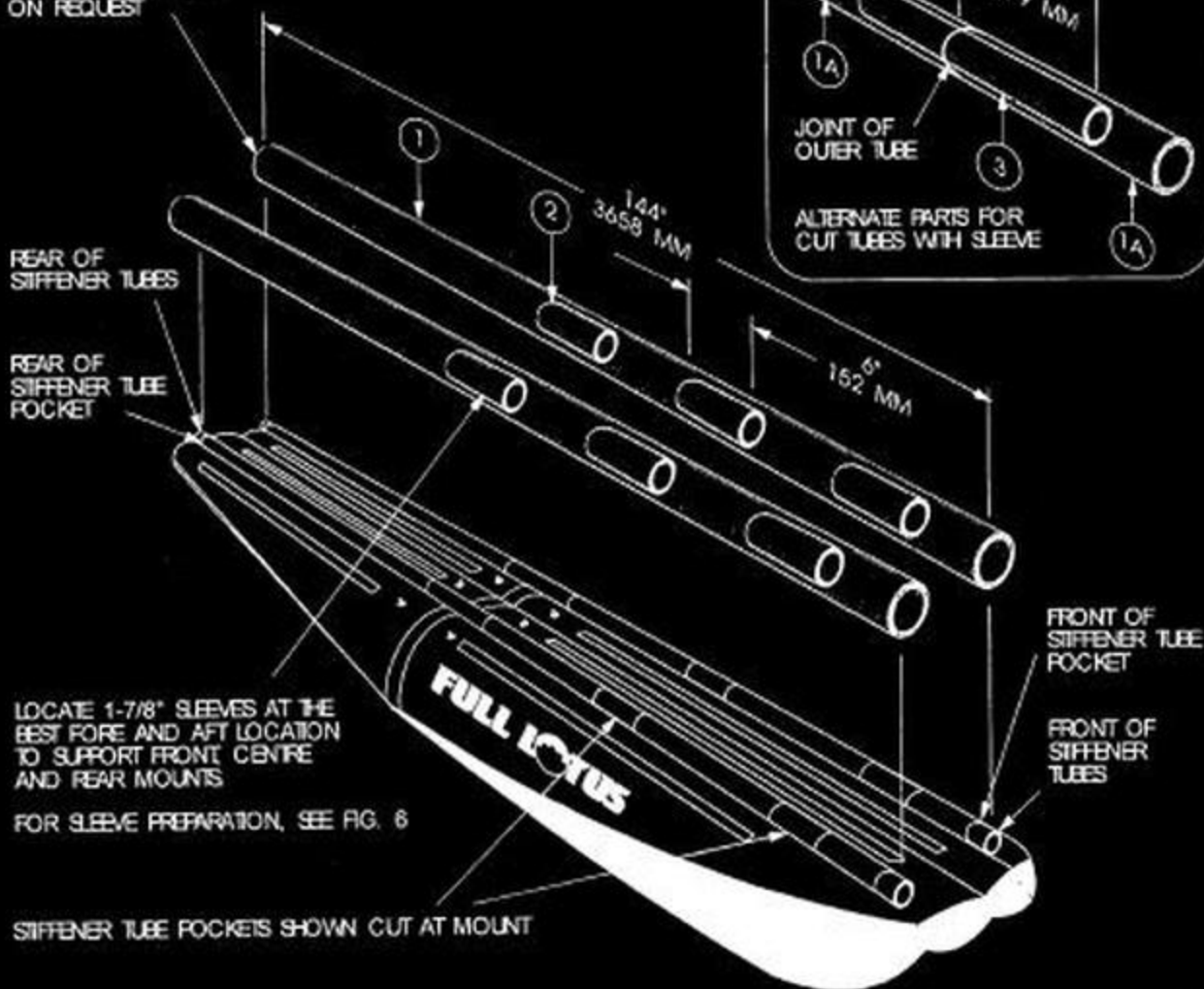


# STIFFENER TUBES FOR MODEL FL 950 FLOAT

CUT TUBES AVAILABLE ON REQUEST



LOCATE 1-7/8" SLEEVES AT THE BEST FORE AND AFT LOCATION TO SUPPORT FRONT CENTRE AND REAR MOUNTS

FOR SLEEVE PREPARATION, SEE FIG. 6

STIFFENER TUBE POCKETS SHOWN CUT AT MOUNT

DETAIL NUMBER	QTY.	NAME OF PART	MATERIAL	STOCK SIZE	LENGTH
1	2	OUTER TUBE	6061 T6 ALUMINIUM	2" X .058"	144" (3658 MM)
2	6	INNER MOUNT SLEEVE	6061 T6 ALUMINIUM	1-7/8" X .058"	6" (152 MM)
ALTERNATE PARTS FOR CUT TUBES WITH SLEEVES					
1A	4	CUT OUTER TUBE	6061 T6 ALUMINIUM	2" X .058"	72" (1829 MM)
3	2	JOINT SLEEVE	6061 T6 ALUMINIUM	1-7/8" X .058"	22" (559 MM)