

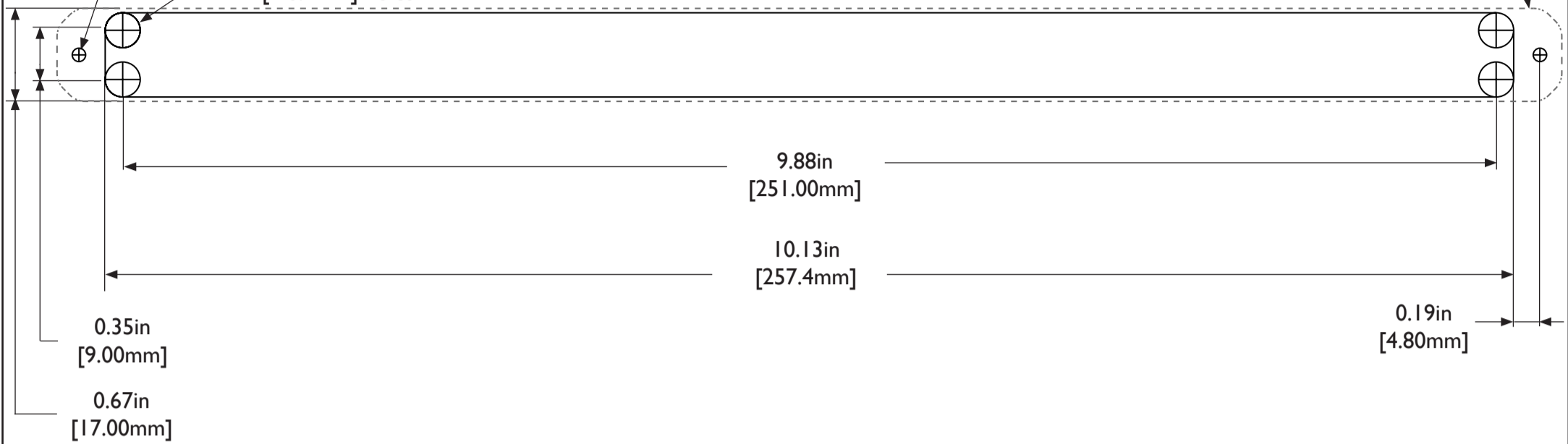
AH502SD Panel Cut-out

Viewed from front (scale 1:1)

2 x 4-40 UNC mounting holes

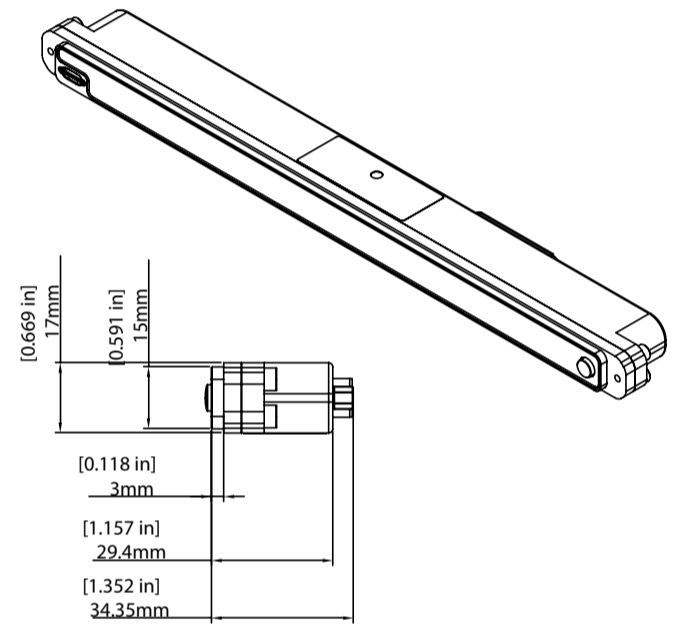
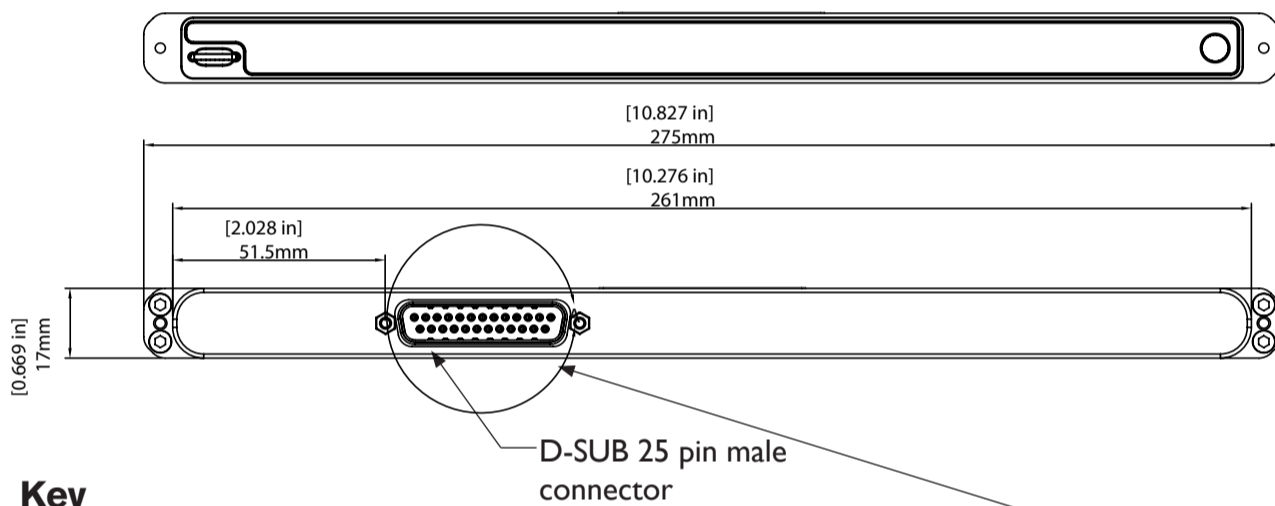
4 x D0.25in [D6.4mm] holes

Mounting lug outline



Physical Dimensions

Not to scale

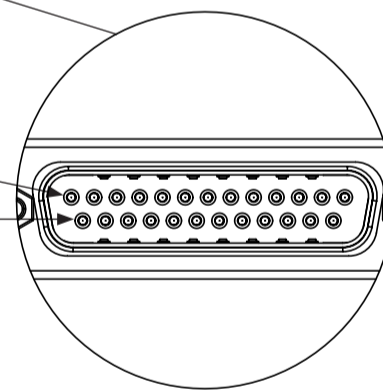


Key

PIN	DESC	TYPE	CONNECT TO
1	+ve Power	10 to 32V	Aircraft +ve bus
2	-ve Power	0V	Aircraft -ve bus
3	V LED	AH501 VLED +ve	AH501 Pin E & F
4	0V	0V	
5	RS-232 RX_2	(+/- 5V) EIA/TIA-232	
6	RS-232 TX_2	(+/- 5V) EIA/TIA-232	
7	Digital input 7	Floating or High Active	
8	Digital input 5	Floating or High Active	
9	Digital input 3	Floating or High Active	
10	Digital input 1	Floating or High Active	
11	0V	0V	
12	Analogue input 1	0 to 32V	
13	Analogue input 0	0 to 32V	
14	AH501 'Caution' Sink	LED AH501 PWM Current sink	AH501 Pin C
15	AH501 'Warning' Sink	LED AH501 PWM Current sink	AH501 Pin D
16	Acknowledge input	Low active	AH501 Pin 1
17	RS-232 TX_1	(+/- 5V) EIA/TIA-232	
18	RS-232 RX_1	(+/- 5V) EIA/TIA-232	
19	Digital input 6	Floating or High Active	
20	Digital input 4	Floating or High Active	
21	Digital input 2	Floating or High Active	
22	Digital input 0	Floating or High Active	
23	0V	0V	
24	AUDIO_RETURN	Audio -ve	
25	AUDIO_OUT	Audio +ve	

PIN 1-13

PIN 14-25



AH502SD Fitting instructions



Rendered Image (scale 1:1)

www.aerosafetysystems.com



Weight 8.11 oz (230 grams)

900-007 REV G