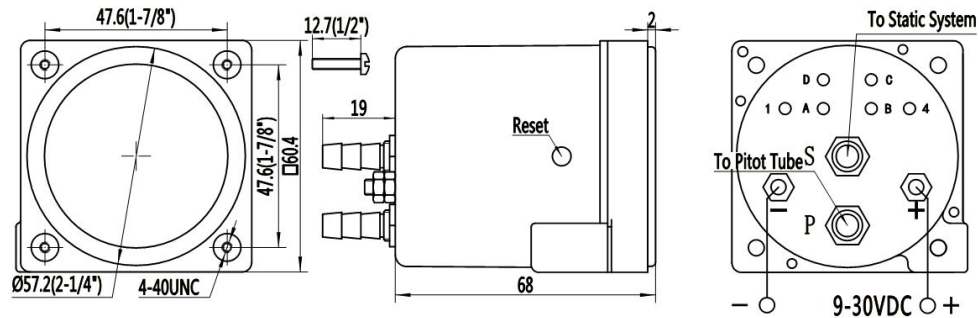


Airspeed Indicator Guide



Airspeed indicator scale drawing

Specifications :

Operational Temperature: -20°C~50°C

Operational Voltage: 9~30 VDC

Operational Current: ≤ 35mA

Airspeed Indicator Standards: HB7826

Weight: ≤ 130g

Measures: 120/160/200MPH; 120/160/200/Knots; 160/200KPH (depends on specific models)

Setting Instructions :

● Resetting the Airspeed Indicator

If the airspeed indicator does not read 0 when the actual airspeed is 0, flip up the sticker covered over the hole in the left of the indicator, wait till one minute after the indicator is power on and the pointer is stable, insert a screwdriver/stick into the hole to hold down button for 5 seconds to reset the pointer to 0. Please note that while calibrating, the pressures at the 'P' and 'S' openings (Fig Right) must be equal. It is recommended to connect the two openings with a tube.