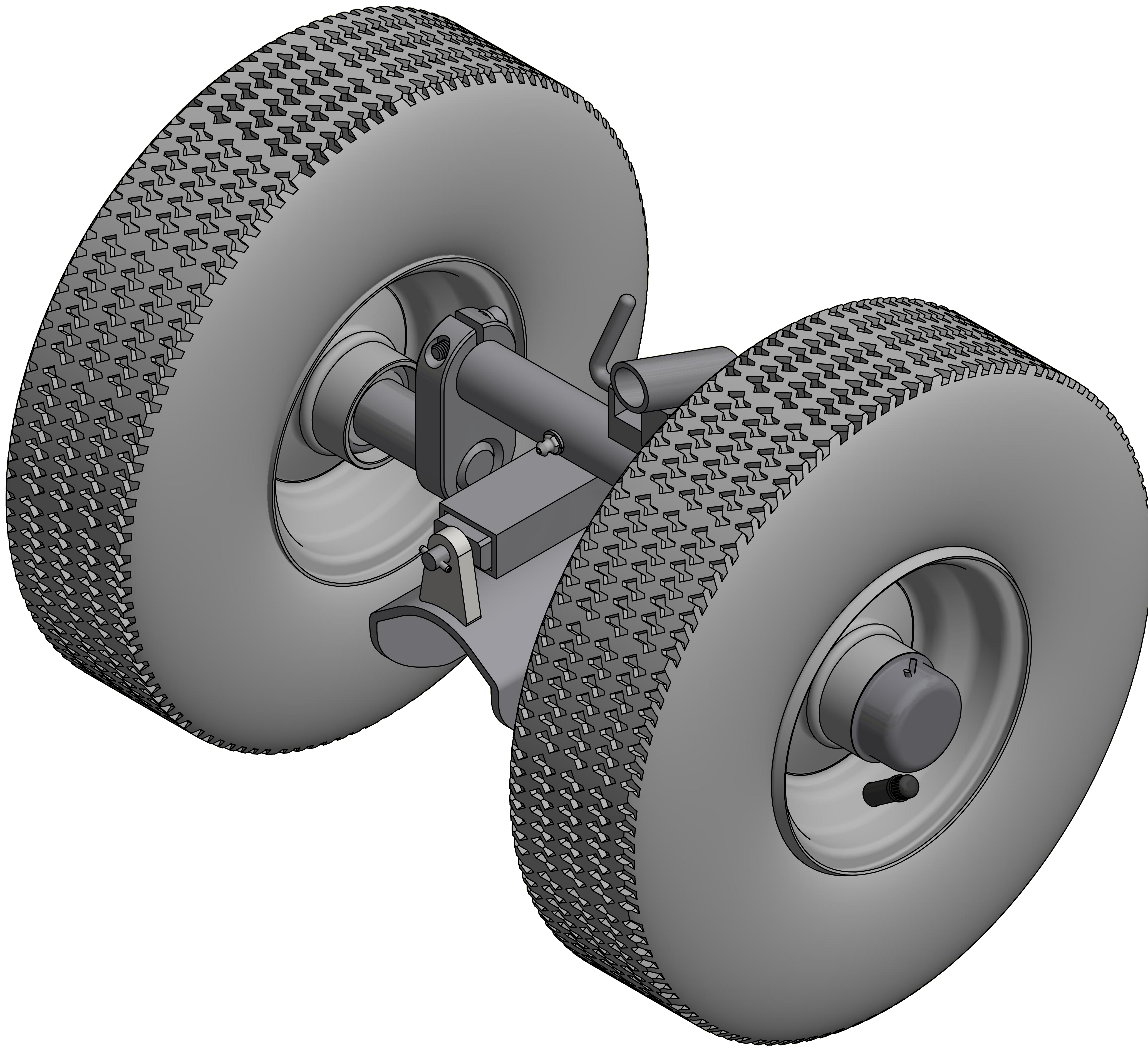


BAC

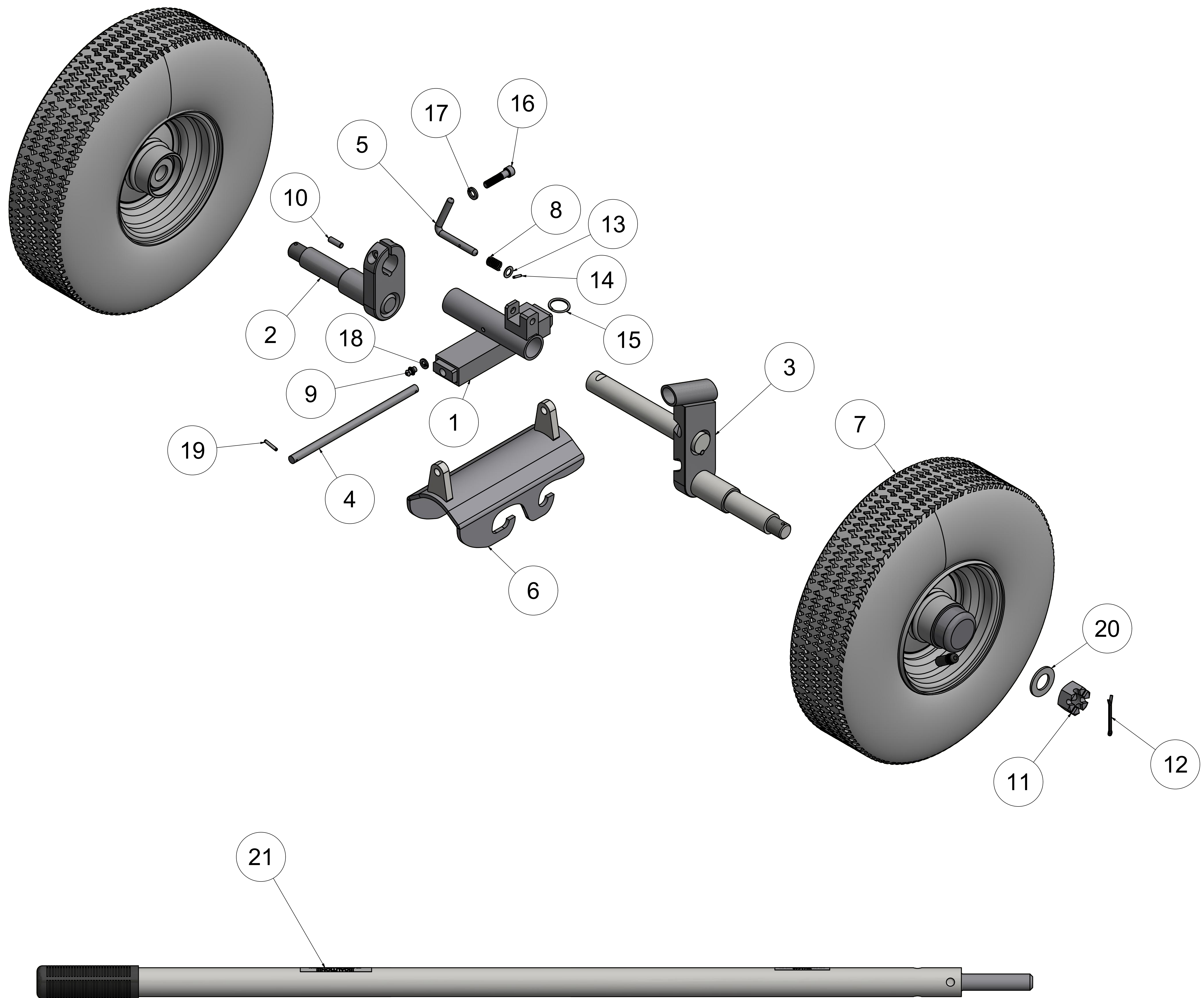
BRACKETT AIRCRAFT CO., INC.

BAC

# BDW-B47



7045 FLIGHTLINE DR.  
KINGMAN, AZ 86401  
928-757-4005  
BRACKETTAIRCRAFT.COM



BDW-B47 (LEFT SIDE SHOWN)

ITEM	QTY	PART NUMBER	DESCRIPTION
1	1	W-U-133	WELDED ASSEMBLY
2	1	W-U-117	INNER ARM ASSEMBLY
3	1	W-U-118 (W-U-119 NOT SHOWN)	LEFT OUTER ARM
4	1	W-U-132	PICK UP ROD
5	1	W-U-101	L-PIN
6	1	W-C4712-00	CARRIER
7	2	W-53066	TIRE ASM.
8	1	S-264	SPRING
9	1	1095K41	1/4-28 ZERK FITTING
10	1	98381A540	1/4 X 3/4 SOLID PIN
11	2	95030A270	3/4-16 SLOTTED HEX NUT
12	2	98338A479	1/8 X 1 3/4 COTTER PIN
13	1	AN960-516L	5/16 NARROW WASHER
14	1	92373A143	3/32 X 1/2 ROLL PIN S.S.
15	1	90177A218	1" O.D. 13/16" I.D. SPLIT RING
16	1	90128A138	5/16-18 X 1 3/8 SHCS
17	1	94241A280	5/16 HIGH COLLAR LOCK WASHER S.S.
18	1	94241A270	1/4 HIGH COLLAR LOCK WASHER S. S.
19	1	92383A697	1/8 X 3/4 ROLL PIN S.S.
20	2	90126A036	3/4" SAE WASHER
21	1	W-U-110	COMPLETE HANDLE ASSEMBLY
N.S.	1	WK-47-15	HARWARE KIT FOR BELL 47