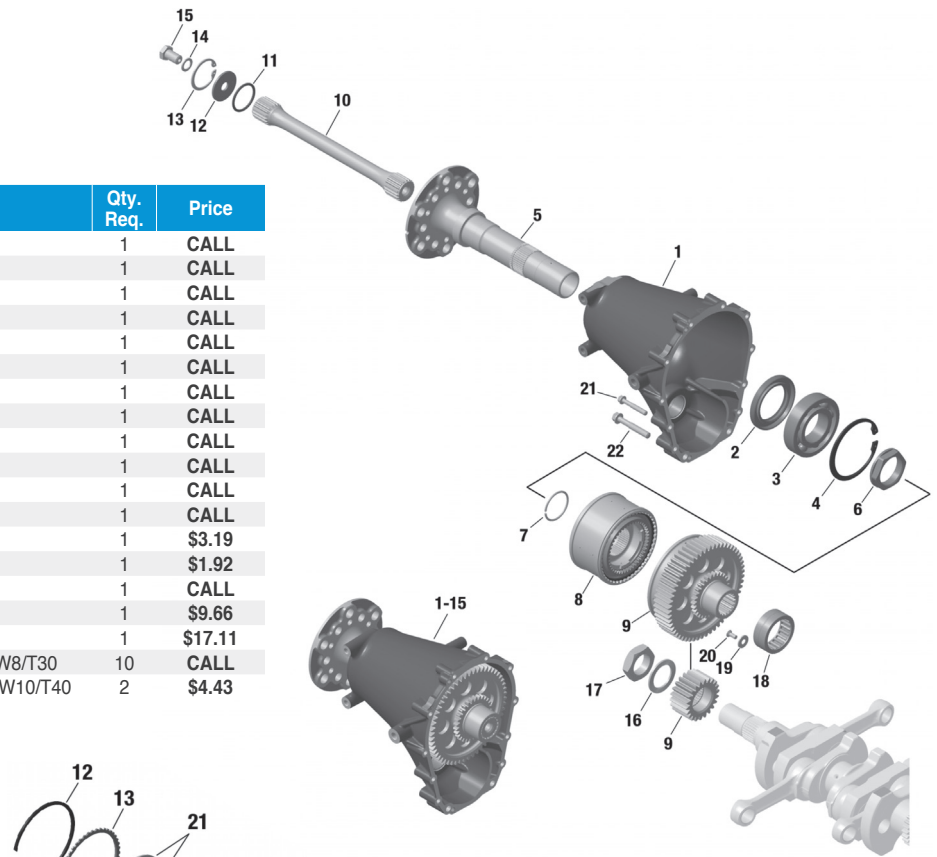


PROPELLER GEAR ASSEMBLY

Item No.	Part No	Description	Qty. Req.	Price
1	911-985	GEARBOX HOUSING ASSEMBLY	1	CALL
2	950-091	OIL SEAL AS 48x72x8 FKM	1	CALL
3	832-060	BALL BEARING 6208 TN9 C3	1	CALL
4	845-120	RETAINING RING 80x2.85	1	CALL
5	837-221	PROPELLER SHAFT	1	CALL
6	942-320	COLLAR NUT M40x1.5 LH	1	CALL
7	245-935	RETAINING RING A 38	1	CALL
8	958-418	DAMPER CLUTCH ASSEMBLY	1	CALL
9	958-412	OVERLOAD CLUTCH ASSEMBLY 56 T	1	CALL
10	837-200	TORSION SHAFT	1	CALL
11	230-915	O-RING 33x3-N, FPM 75	1	CALL
12	827-470	SEALING WASHER 40x12.1x2.5	1	CALL
13	945-880	RETAINING RING 40x1.75	1	\$3.19
14	250-640	SEALING RING A12x18	1	\$1.92
15	841-150	HEX. SCREW M12x20 A2-70	1	CALL
16	845-431	FRICTION WASHER VS30	1	\$9.66
17	842-579	HEX. NUT M30x1.5 12 MM, LH	1	\$17.11
21	440-282	HEX. / TORX-FLANGE SCREW M6x40-SW8/T30	10	CALL
22	940-077	HEX. / TORX-FLANGE SCREW M8x45-SW10/T40	2	\$4.43



OVERLOAD CLUTCH

Item No.	Part No	Description	Qty. Req.	Price
1-9	958-412	OVERLOAD CLUTCH ASSEMBLY	1	CALL
1	886-544	GEAR SET	1	CALL
2	938-092	DISK SPRING 102x49x2.8	2	CALL
3	837-231	INTERMEDIATE SHAFT	1	CALL
4	958-400	STEEL FRICTION PLATE 4.0 MM	1	CALL
5	958-160	STEEL FRICTION PLATE 1.0 MM	4	CALL
6	958-174	SINTER FRICTION PLATE 1.8 MM	5	CALL
7	945-080	CIRCLIP SW 68	1	CALL
8	958-402	STEEL FRICTION PLATE 4.0 MM	1	CALL
9	945-075	CIRCLIP SB 105	1	CALL
10-21	958-418	DAMPER CLUTCH ASSEMBLY	1	CALL
10	958-042	CLUTCH DRUM ASSEMBLY	1	CALL
11	958-022	CLUTCH HUB	1	CALL
12	945-070	CIRCLIP SB 93	3	CALL
13	927-021	SUPPORT RING	2	CALL
14	938-098	DISK SPRING 91.5X71X1.5	2	CALL
15	959-420	STEEL FRICTION PLATE 3.0 MM	3	CALL
16	958-932	STEEL FRICTION PLATE 1.0 MM	8	\$35.18
17	958-991	FRICTION PLATE 1.54 MM	3	CALL
18	847-895	SPACER RING 69/64.1/3.0	1	CALL
19	958-103	DRIVING COLLAR	1	CALL
20	958-992	FRICTION PLATE 1.54 MM	2	CALL
21	938-099	DISK SPRING 91.5X60X2.1	2	CALL
22	845-431	FRICTION WASHER VS30	1	\$9.66
23	842-579	HEX. NUT M30x1.5 12 MM, LH	1	\$17.11

