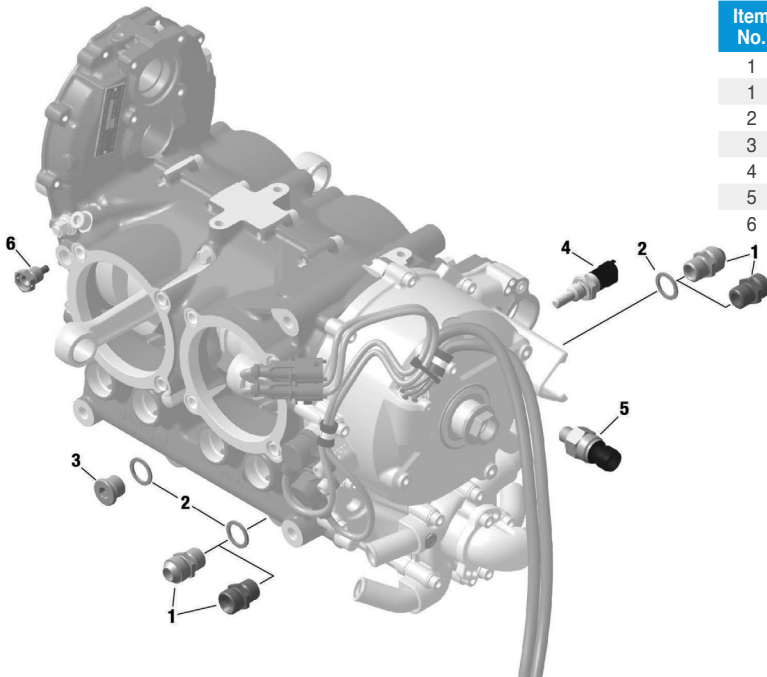
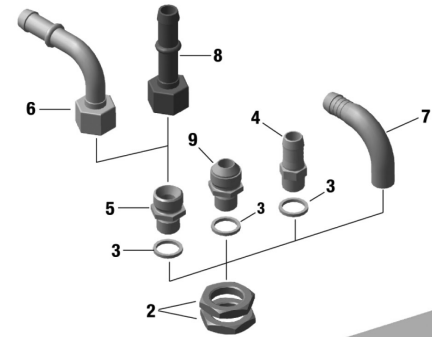


OIL TEMPERATURE SENSOR, OIL PRESSURE SENSOR, OIL SPRAY NOZZLE ASSEMBLY

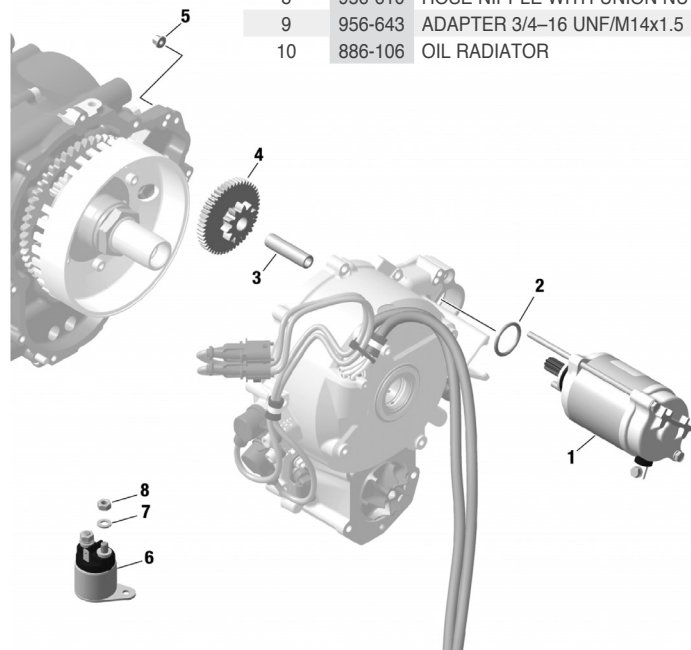
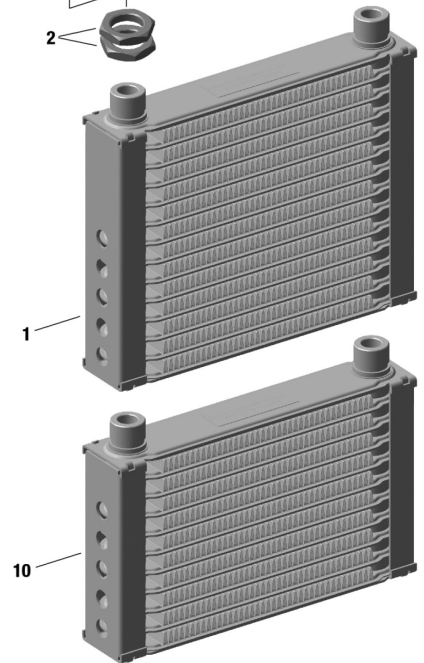


Item No.	Part No	Description	Qty. Req.	Price
1	956-651	ADAPTER 3/4-16 UNF/ M16x1.5	(2)	\$90.35
1	956-655	ADAPTER M18x1.5 / M16x1.5	2	\$59.72
2	430-622	SEALING RING A 16x22	3	\$2.50
3	240-234	PLUG SCREW A M16x1.5	2	\$10.79
4	965-537	TEMPERATURE SENSOR	1	\$182.07
5	664-365	PRESSURE SENSOR 10	1	\$301.82
6	241-785	MAGNETIC DRAIN PLUG M12x1.5	1	\$58.73



OIL RADIATOR - NON-CERTIFIED

Item No.	Part No	Description	Qty. Req.	Price
1,2,3,-9	886-036	OIL RADIATOR SET UNF	(1)	\$299.00
1,2,3,-4	886-034	OIL RADIATOR SET METRIC	(1)	CALL
1	886-004	OIL RADIATOR	(1)	\$328.89
2	242-873	HEX. NUT M22x1.5	(4)	\$16.16
2,3,9	956-645	SCREW CONNECTION SET UNF	(1)	\$115.70
3,5,8	956-615	SCREW CONNECTION SET STRAIGHT	(1)	\$115.70
3,5,6	956-585	SCREW CONNECTION SET BENT	(1)	\$101.43
3	230-387	GASKET RING 14.2/18/2	(2)	\$1.51
4	840-461	NIPPLE 13.2/9.5-M14x1.5	(2)	\$18.98
5	956-577	ADAPTER 8x1.5/M14x1.5	(2)	\$54.70
6	956-580	BENT SOCKET ASSEMBLY	AR	CALL
7	924-585	ANGULAR TUBE 4x1.5	AR	\$74.50
8	956-610	HOSE NIPPLE WITH UNION NUT	AR	\$20.91
9	956-643	ADAPTER 3/4-16 UNF/M14x1.5	(2)	\$68.93
10	886-106	OIL RADIATOR	(1)	CALL



ELECTRIC STARTER

Item No.	Part No	Description	Qty. Req.	Price
1-2	685-667	ELECTRIC STARTER ASSEMBLY 12 V	1	\$699.00
1-2	685-671	ELECTRIC STARTER ASSEMBLY 24 V - NON-CERTIFIED	(1)	CALL
2	250-140	O-RING DIN 3771-24.4x3.1-N NBR70	1	\$7.14
3	837-102	IDLE GEAR SHAFT	1	\$27.60
4	834-156	IDLE GEAR 50/11 T	1	\$190.43
5	942-311	HEX. NUT M5	2	\$20.67
6-8	992-818	STARTER RELAY ASSEMBLY	1	\$199.75
7	945-831	LOCK WASHER A6	2	\$0.23
8	242-211	HEX. NUT M6	2	\$0.41