

VACUUM PUMP WITH DRIVE (ALL PARTS OPTIONAL)

Item No.	Part No	Description	Qty. Req.	Price
1-10	881-690	VACUUM PUMP DRIVE RETROFIT KIT	AR	\$638.09
1	832-362	BALL BEARING 16002 15-32-8	1	\$41.13
2	232-925	NEEDLE SLEEVE 22x28x12	1	\$36.82
3	831-265	OIL SEAL AS 22x32x7	1	\$49.50
4	847-771	DRIVE SLEEVE	1	\$324.97
5	834-245	VACUUM PUMP GEAR 22T	1	\$211.87
6	941-527	ALLEN SCREW M8x14	1	\$25.86
7	810-170	ATTACHMENT FLANGE	1	\$163.29
8	941-080	STUD M6X20/10	4	\$5.61
9	945-831	LOCK WASHER A6	4	\$0.23
10	242-214	HEX.NUT M6	4	CALL

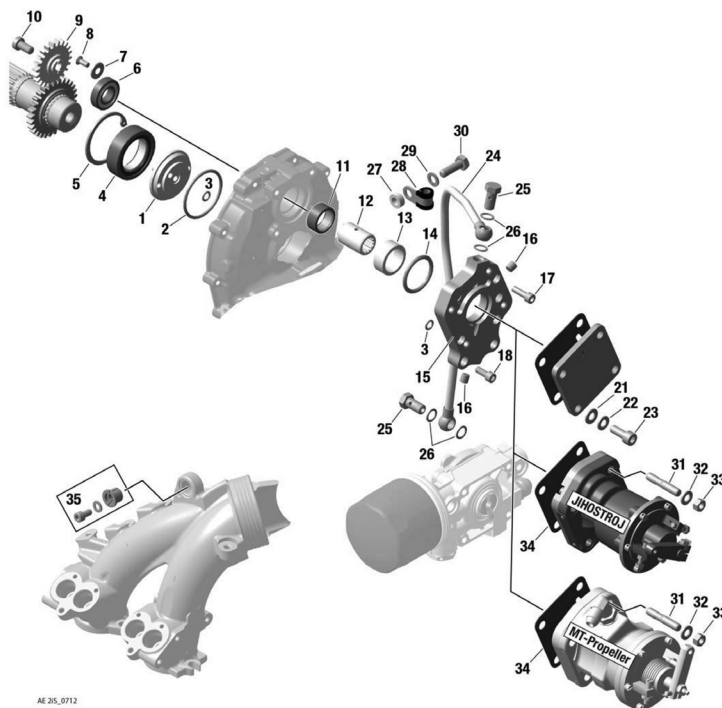
- Items not illustrated / AR: as required / NLA: not available

HYDRAULIC GOVERNOR ARRANGEMENT FOR CONSTANT SPEED PROPELLER (OPTIONAL)

Item No.	Part No	Description	Qty. Req.	Price
3	830-415	O-RING 7x2-N	2	\$6.69
6	832-362	BALL BEARING 16002. 15-32-8	1	\$41.13
9	834-245	DRIVE GEAR 22 T	1	\$211.87
10	941-522	ALLEN SCREW M8x16	1	\$1.39
11	232-925	NEEDLE SLEEVE 22x28x12	1	\$36.82
12	847-773	DRIVE SLEEVE	1	\$359.30
13	847-802	SPACER 25/31.95/13	1	\$28.58
14	950-380	O-RING 32x4-N FPM 75	1	\$11.62
15	810-294	GOVERNOR FLANGE	1	\$833.41
16	941-611	PLUG SCREW M8x1	2	\$5.61
17	241-930	ALLEN SCREW M6x20	4	\$0.57
18	241-237	ALLEN SCREW M6x16	2	\$0.73
21	250-315	WASHER 8.4	4	\$0.41
22	945-832	LOCKWASHER A8	4	\$0.23
23	240-072	ALLEN SCREW M8x20	4	\$1.35
24	956-460	PRESSURE OIL LINE ASSEMBLY	1	\$262.80
25	940-876	BANJO BOLT M10x1x19	2	CALL
26	230-150	SEALING RING A 10x14	4	\$1.09
27	847-224	DISTANCE SLEEVE 8.4/15/6	1	\$23.34
28	853-418	CABLE CLAMP	1	\$23.43
29	945-832	LOCK WASHER A8	1	\$0.23
30	240-276	HEX. SCREW M8x25	1	\$1.26
31	840-711	STUD M8x21/20	4	\$20.14
32	945-752	LOCK WASHER A8	4	\$0.21
33	942-671	HEX. NUT M8 (WS 11 MM)	4	\$2.67
34	931-372	GASKET	1	\$186.77
35	481-485	GOVERNOR CABLE KIT	1	CALL
36	881-702	PROP SHAFT RETROFIT KIT TO CONFIG. 3	1	\$1,611.49
37	881-700	GOVERNOR DRIVE RETROFIT KIT	1a	\$1,613.87

- Items not illustrated

a same as 881-702 but without propeller shaft



AE 26_0712