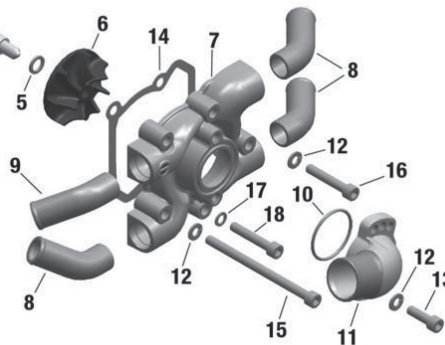


FUEL PUMP ASSEMBLY COVER

Item No.	Part No	Description	Qty. Req.	Price
1	834-135	WATER PUMP GEAR 15 T	1	\$96.42
2	850-977	OIL SEAL A 12x30x7 FPM	1	\$35.71
3	850-946	ROTARY SEAL	1	\$93.32
4	837-111	PUMP SHAFT	1	\$86.58
5	926-274	WASHER 8.2/12.5/1.5	1	\$12.03
6	922-224	IMPELLER	1	\$91.45
7	922-202	WATER PUMP HOUSING	1	\$399.90
8	922-233	BENT SOCKET 45°	3	\$17.84
9	922-234	BENT SOCKET 20°	1	\$11.50
10	230-020	O-RING 32x2	1	\$9.93
11	922-218	WATER INLET ELBOW	1	\$350.57
12	827-962	WASHER 6.4	6	\$0.31
13	241-930	ALLEN SCREW M6x20	2	\$0.57
14	850-981	GASKET	1	\$12.27
15	241-482	ALLEN SCREW M6x90	2	\$2.64
16	241-814	ALLEN SCREW M6x35	2	\$0.63
17	230-415	SEALING RING A 6x10	1	\$1.40
18	241-813	ALLEN SCREW M6x35 STAINLESS	1	\$1.45

RTX

- Items not illustrated



EXPANSION TANK WITH HOSES AND CONNECTIONS

Item No.	Part No	Description	Qty. Req.	Price
1	950-180	O-RING 19-2	4	\$13.46
2	922-303	FLANGE	4	\$56.43
3	827-962	WASHER 6.4	8	\$0.31
4	241-231	ALLEN SCREW M6x20	8	\$1.40
5	922-230	BENT SOCKET 80°	8	\$17.84
6	851-645	SELF COMPENSATING CLAMP 25	16	\$7.14
7	822-420	FORM HOSE 1	1	\$23.39
8	822-430	FORM HOSE 2	1	\$5.23
9	822-440	FORM HOSE 3	1	\$22.65
10	822-445	FORM HOSE 4	1	\$11.19
11	822-450	FORM HOSE	1	\$69.95
12	951-350	SELF COMPENSATING CLAMP 35	1	\$4.83
13	922-360	WATER TUBE 180 +/-3 MM	2	\$41.40
14	922-362	WATER TUBE 280 +/-3 MM	2	\$61.02
15	965-537	TEMPERATURE SENSOR	1	\$182.07
16-19	922-668	EXPANSION TANK ASSEMBLY	1	CALL
17	922-072	RADIATOR CAP WITH GASKET 1.2 bar / 17.4 psi	1	\$82.46
18	860-827	RUBBER PLATE	1	\$15.58
19	897-506	WARNING LABEL	2	\$5.69
20	951-490	CONNECTOR BRACKET	2	\$3.71
21	898-490	WARNING LABEL EVENS COOLANT	1	\$0.31

- Items not illustrated

