

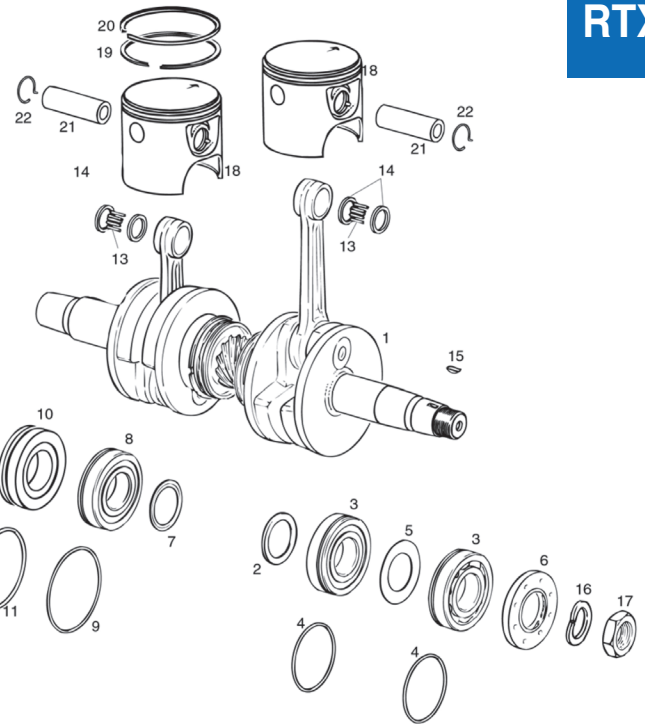
582 UL ENGINE - MOD 99/17

CRANKCASE, MAIN BEARINGS, PISTONS

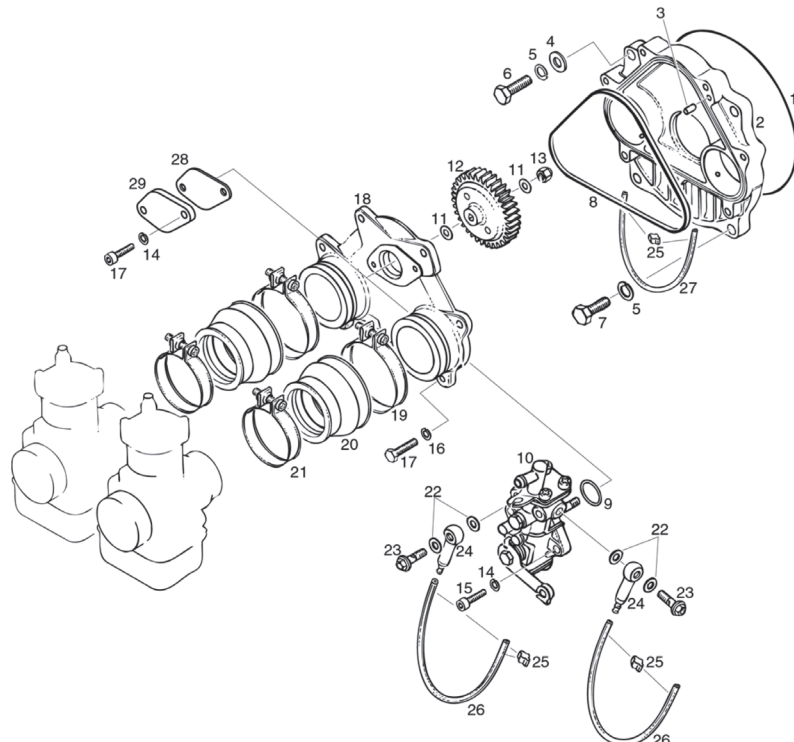
Item No.	Part No	Description	Qty. Req.	Price
1-15	887-051	CRANKSHAFT ASSEMBLY	1	\$1,519.44
2	827-441	SPACER RING 30,5/42/2	1	\$10.67
3	832-208	B. BEARING 6206 N TVH, 30-62-16	2	\$99.85
4	830-355	O-RING 49,2-1,8	2	\$5.52
5	827-715	STOP SHIM 30,4/51/1	1	\$3.32
6	830-748	OIL SEAL 30X62X7/7,5	1	\$36.64
7	827-760	DISTANCE RING 35,5/47/2	1	\$7.05
8	631-741	B. BEARING 6207N TNH C3 35-72-17	2	\$83.32
9	250-165	O-RING 64-2	2	\$5.33
10	830-293	LABYRINTH SLEEVE	1	\$94.52
11	830-370	O-RING 63-2.5	1	\$6.97
12	831-950	OIL SEAL 35X72X7/8.5	1	\$39.33
13-14	832-320	CAGEL. NEEDLE BEARING 18X22X23	2	\$56.97
14	827-465	THRUST WASHER 18/21.7/2.5	4	\$23.17
15	246-055	WOODRUFF KEY 3X3.7 DIN 6888	1	\$3.73
16	945-759	LOCK WASHER 22	1	\$1.76
17	842-239	HEX. NUT M22X1.5	1	\$12.83
18-20	888-590	PISTON ASSEMBLY 75.94/75.95 MM	2ab	\$216.95
18-20	888-591	PISTON ASSEMBLY 76.19/76.20 MM	2ac	\$233.95
18-20	888-592	PISTON ASSEMBLY 76.44/76.45 MM	2ad	\$237.63
19	215-200	RECTANGULAR RING 76.00 MM	2e	\$59.57
19	215-201	RECTANGULAR RING 76.25 MM	2f	\$66.74
19	215-202	RECTANGULAR RING 76.5 MM	2g	\$66.74
20	915-820	SEMI-TRAPEZ RING 76.0 MM	2e	\$92.67
20	915-821	SEMI-TRAPEZ RING 76.25 MM	2f	\$94.69
20	915-822	SEMI-TRAPEZ RING 76.5 MM	2g	\$94.69
21	916-136	PISTON PIN 18X11X53.7	2	\$47.85
22	845-540	MONOHOOK CIRCLIP 18	4hi	\$1.97

- Items not illustrated

- a Piston for monohook circlip configuration, see also SI-2ST-001.
- b With 2 rings, standard: RED 75.94 mm (2.989 in.), GREEN 75.95 mm (2.990 in.).
- c With 2 rings, 1st oversize: RED 76.19 mm (2.999 in.), GREEN 76.20 mm (3.000 in.).
- d With 2 rings, 2nd oversize: RED 76.44 mm (3.0094 in.), GREEN 76.45 mm (3.0098 in.).
- e Standard size.
- f 1st oversize.
- g 2nd oversize.
- h In use with piston part no. 888-590, see also SI-2ST-001.
- i **NOTICE** - Use only once.



RTX



ROTARY VALVE COVER, OIL PUMP DRIVE, OIL PUMP

Item No.	Part No	Description	Qty. Req.	Price
1	831-360	O-RING 132-1.7	1	\$15.58
2	811-941	ROTARY VALVE COVER ASSEMBLY	1c	CALL
3	929-560	DOWEL TUBE 2x8	1	\$3.20
4	250-315	WASHER 8.4	2	\$0.45
5	945-832	LOCK WASHER A8	4	\$0.23
6	240-276	HEX. SCREW M8x25	2	\$1.26
7	940-591	HEX. SCREW M8x20	2	\$1.23
8	831-700	RUBBER RING 126x1.5x3.5	1	\$5.69
9	230-370	O-RING 18x1.3	1	\$3.19
10	995-527	OIL PUMP ASSEMBLY	1	\$277.25
11	927-945	WASHER 6.2/12/1	2	\$1.54
12	935-940	OIL PUMP GEAR 44 T.	1	\$26.58
13	842-040	LOCK NUT M6	1	CALL
14	945-750	LOCK WASHER A5	2	\$0.14
15	240-761	SLOTTED HEAD SCREW M5x16	2	\$1.75
16	945-751	LOCK WASHER A6	7	\$0.21
17	940-561	HEX. SCREW M6x20	7	\$0.66
18	910-320	PUMP MOUNTING FLANGE	1	\$201.60
19	851-065	CLAMP 62	2	\$11.26
20	867-696	CARBURETOR SOCKET	2	\$29.81
21	951-400	HOSE CLAMP 53	2	\$10.79
22	227-500	GASKET RING 6.2/12/1	4	\$1.45
23	241-830	BANJO BOLT M6x16	2	\$6.97
24	956-010	CHECK VALVE ASSEMBLY	2	\$24.36
25	853-840	CLAMP 3-5 MM (0.12-0.20 IN)	AR	\$2.28
26-27	960-040	OIL LINE 2.2+/-0.1x4.3+0.4	ARb	\$7.50
28	931-566	GASKET	1a	\$5.69
29	810-827	COVER PLATE	1a	\$18.68

- a for configuration without oil pump
- b in a roll
- c from engine S/N: 5381289.