

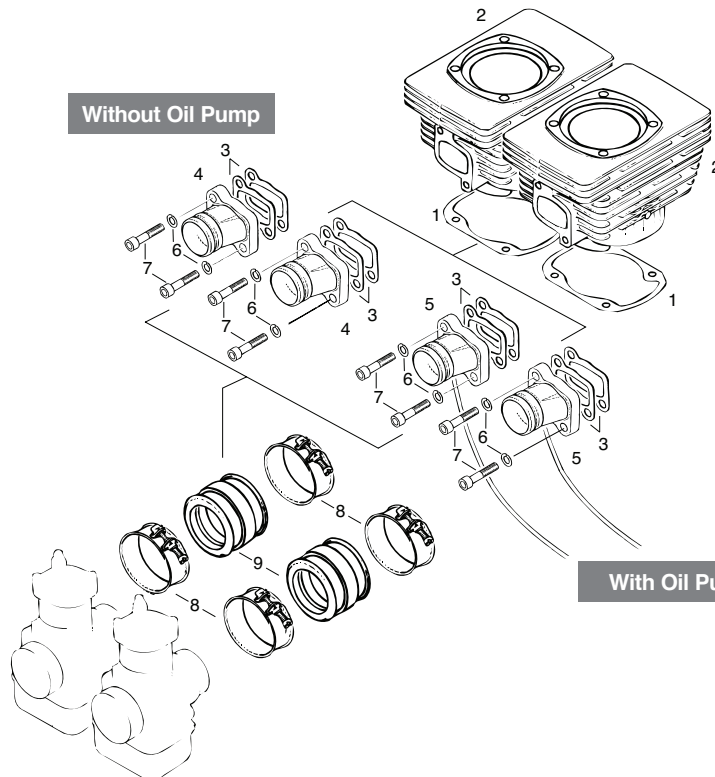
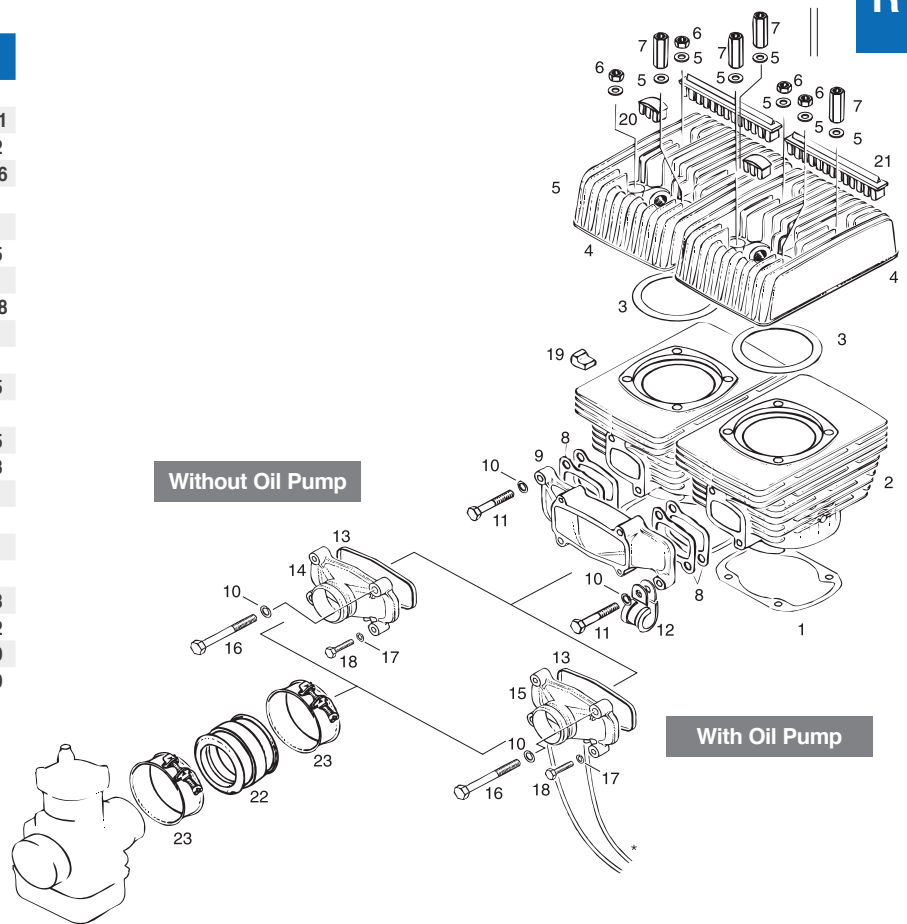
503 UL ENGINE

CYLINDER, CYLINDER HEAD AND INTAKE MANIFOLD: 1-CARB. CONFIGURATION

RTX

Item No.	Part No	Description	Qty. Req.	Price
1	831-855	GASKET 0,4 MM	2	\$4.54
2	923-010-1	CYLINDER WITH SLEEVE	2a	\$769.31
3	831-881	GASKET	2	\$11.62
4	823-668	CYLINDER HEAD	2	\$540.26
5	250-311	WASHER 8,4 DIN 125	8	\$0.41
6	242-209	HEX. NUT M8	4	\$0.56
7	842-050	DISTANCE NUT M8X37	4	\$56.75
8	831-866	INTAKE GASKET 1,0 MM	4	\$6.27
9	867-450	INTAKE MANIFOLD	1	\$115.58
10	945-752	LOCK WASHER A8	4	\$0.21
11	940-616	HEX. SCREW M8X40	2	\$1.61
12	851-100	CABLE CLAMP 18	1	\$12.95
13	850-151	RUBBER RING 83X1, 5X3, 5	1	\$5.95
14	867-465	INTAKE COVER	1b	\$91.15
15	867-462	INTAKE COVER	1c	\$98.03
16	841-301	HEX. SCREW M8X65	2	\$1.97
17	945-751	LOCK WASHER A6 DIN 128	2	\$1.97
18	941-501	HEX.SCREW M6X30	2	\$1.00
19	860-060	SUPPORT DAMPER	1	\$2.97
20	860-096	NOISE DAMPER, SHORT	8	\$11.98
21	860-091	NOISE DAMPER, LONG	2	\$20.82
22	867-484	RUBBER SOCKET	1	\$40.19
23	951-510	HOSE CLAMP 52	2	\$10.79

- a RED 72,00 mm - 72,01 mm
GREEN 72,01 mm - 72,02 mm
- b for mixture lubrication
- c for oil pump version



CYLINDER AND INTAKE SOCKET FOR 2-CARBURETOR CONFIGURATION

Item No.	Part No	Description	Qty. Req.	Price
1	831-855	GASKET 0,4 MM	2	\$4.54
2	923-010-1	CYLINDER WITH SLEEVE	2a	\$769.31
3	831-866	INTAKE GASKET 1,0 MM	4	\$6.27
4	867-400	INTAKE SOCKET	2b	\$69.88
5	867-407	INTAKE SOCKET	2c	\$76.49
6	945-752	LOCK WASHER A8	4	\$0.21
7	840-681	ALLEN SCREW M8X40 DIN 912	4	\$1.76
8	951-510	HOSE CLAMP 52	4	\$10.79
9	867-484	RUBBER SOCKET	2	\$40.19

- a RED 72,00 mm - 72,01 mm
GREEN 72,01 mm - 72,02 mm
- b for mixture lubrication
- c for oil pump version