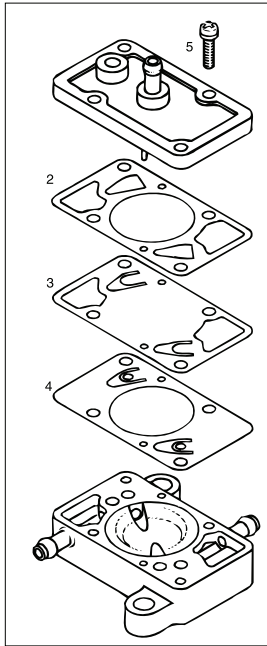
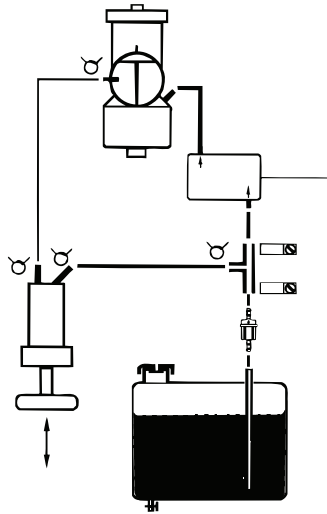


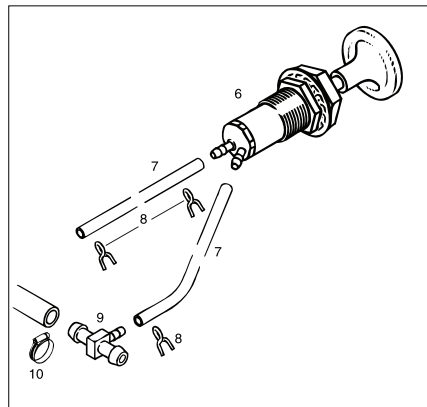
RTX



1-5



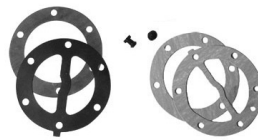
6-10



## ROTAX 503 UL SINGLE CARBURETOR FUEL PUMP & PRIMER

Item No.	Part No	Description	Qty. Req.	Price
1-5	994-483	MIKUNI-FUEL PUMP DF 44-210	1a	\$126.14
2	831-936	COVER GASKET	1	\$7.80
3	861-137	PUMP DIAPHRAGM	1	\$5.81
4	861-135	PUMP CASE GASKET	1	\$23.00
5	841-460	COMBINED SCREW M4X16	4	\$1.79
6-10	861-620	PRIMER KIT	1	\$113.47
6	861-630	PRIMER PUMP	1	\$113.73
7	874-211	FUEL LINE 3000 MM	1	\$33.93
8	938-195	CLAMP 5	8	\$4.85
9	974-832	REDUCTION T-PIECE 5-3-5	1	\$13.46
10	951-898	CLAMP 7-11	2	\$8.64

a suitable for 1- and 2 carburetor configuration.



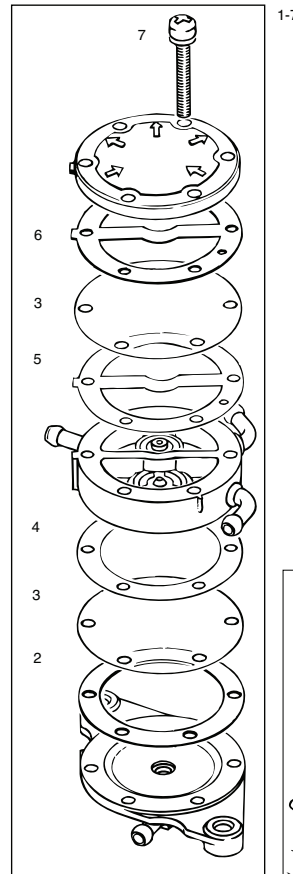
### REBUILD KIT AVAILABLE\*

Mikuni fuel pump rebuild kit for dual pumps.  
P/N 07-01011.....\$13.75

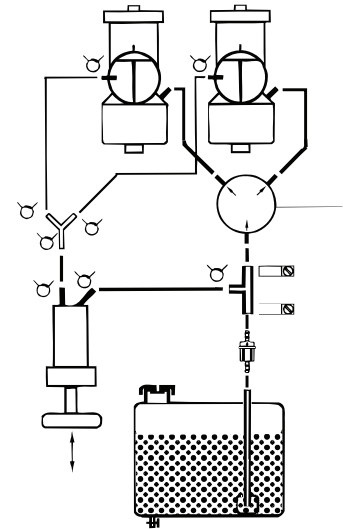
## ROTAX 503, 582 UL 99/17 DUAL CARBURETOR FUEL PUMP AND PRIMER

Item No.	Part No	Description	Qty. Req.	Price
1-7	994-486	FUEL PUMP DF 52-48	1	\$162.58
2	850-441	GASKET	1	\$6.39
3	861-210	DIAPHRAGM	2	\$24.80
4	850-445	GASKET	1	\$6.39
5	850-447	GASKET	1	\$9.27
6	850-451	GASKET	1	\$6.49
7	841-035	COMBINED SCREW M4X28	6	\$1.99
8-14	861-620	PRIMER KIT	1	\$113.47
8	861-630	PRIMER PUMP	1	\$113.73
9	874-211	FUEL LINE 3000 MM	1	\$33.93
10	938-195	CLAMP 5	8	\$4.85
11	974-832	REDUCTION T-PIECE 5-3-5	1	\$13.46
12	951-898	CLAMP 7-11	2	\$8.64
13	974-837	T-PIECE 3-3-3	1	\$8.25
14	974-830	T-PIECE 5-5-5	1	\$8.25

a mesh size 0,15 mm (0,006 in).



1-7



8-15

