

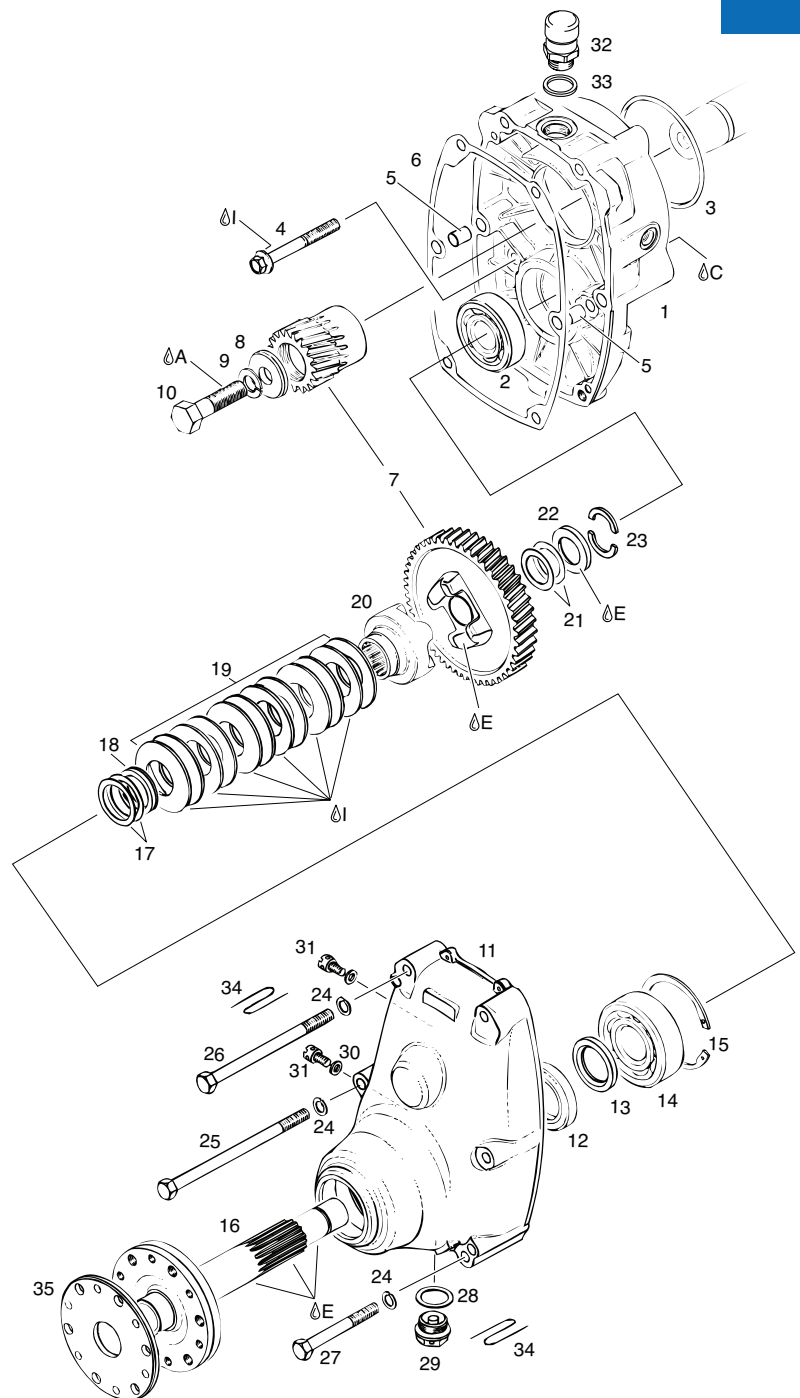
2 STROKE B-GEARBOX

RTX

ROTAX 503, 582 UL 99 / 17 REDUCTION GEARBOX "B": I=2,00, I=2,24 OR I=2,58

Item No.	Part No	Description	Qty. Req.	Price
1-35	15-07774	B GEARBOX ASSEMBLY 1: 2.24	1	\$1,025.00
1-35	15-05342	B GEARBOX ASSEMBLY 1: 2.53	1	\$1,003.00
1	810-109	GEAR HOUSING	1	\$394.06
2	932-091	BALL BEARING 6304 C3, 20-52-15	1	\$45.42
3	850-430	O-RING 75-2.5	1	\$15.58
4	841-306	COLLAR HEX. SCREW M8X65 SW 11	2	\$4.99
5	929-670	DOWEL 10X13	2	\$6.97
6	930-536	GASKET	1	\$10.70
7	886-200	GEAR SET 2,58	1a	\$475.15
7	886-202	GEAR SET 2,24	1b	\$581.75
7	886-204	GEAR SET 2,00	1c	\$519.79
8	827-786	WASHER 13/34/5	1	\$20.07
9	945-765	LOCK WASHER VHV 13	1	\$1.76
10	841-656	HEX. SCREW 1/2-20UNFX2	1	\$9.47
11	910-373	GEAR COVER	1	\$388.73
12	850-055	OIL SEAL 30X47X7/7,5	1	\$31.50
13	827-851	DISTANCE RING 26/36/4,5	1	\$17.64
14	932-820	BALL BEARING 6305 C3 / 25-62-17	1	\$59.70
15	445-070	RETAINING RING 62X2	1	\$4.95
16	837-024	PROPELLER SHAFT	1	\$345.16
17	944-470	SHIM 25,5/34/O,2	NB	\$2.28
17	944-471	SHIM 25,5/34/O,3	NB	\$1.92
17	944-472	SHIM 25,5/34/O,5	NB	\$1.92
17	944-473	SHIM 25,5/34/1	NB	\$1.92
17	944-474	SHIM 25,5/34/0,1	NB	\$1.92
18	847-621	DISTANCE RING 25,2/33/4,5	1	\$26.48
19	939-020	DISK SPRING B50	12	\$5.69
20	958-771	DOG HUB	1	\$136.89
21	944-469	THRUST WASHER 20,5/30/0,8	2	\$2.28
22	827-841	ANGULAR RING	1	\$20.56
23	827-862	RING HALF	2	\$30.55
24	945-752	LOCK WASHER A8	6	\$0.21
25	941-350	HEX. SCREW M8X125	2	\$6.39
26	941-171	HEX. SCREW M8X110	2	\$3.45
27	841-301	HEX. SCREW M8X65	2	\$1.97
28	552-280	GASKET RING 18, 2/24/1	1	\$2.76
29	840-270	MAGNETIC PLUG M18X1.5	1	\$29.44
30	230-415	GASKETRING A 6X10 DIN 7603	2	\$1.40
31	841-781	CAPSTAN SCREW M6X10	2	\$5.61
32	941-115	AIR VENT SCREW M18X1,5	1	\$18.11
33	931-200	GASKET RING 18, 2/22/2	1	\$3.17
34	01-15725	SAFETY WIRE .032 25 FT.	NB	\$1.25
35	827-830	COVER WASHER	1	\$49.34

a exchange drive gear 19 T and dog gear 49 T only together.
b exchange drive gear 21 T and dog gear 47 T only together.
c exchange drive gear 20 T and dog gear 40 T only together.



- Ⓐ: LOCTITE 221 - P/N 899-785
- Ⓒ: LOCTITE 648 - P/N 899-788
- Ⓔ: LOCTITE ANTI SIZE - P/N 297-434
- Ⓘ: LITHIUM-BASE GREASE - P/N 897-330