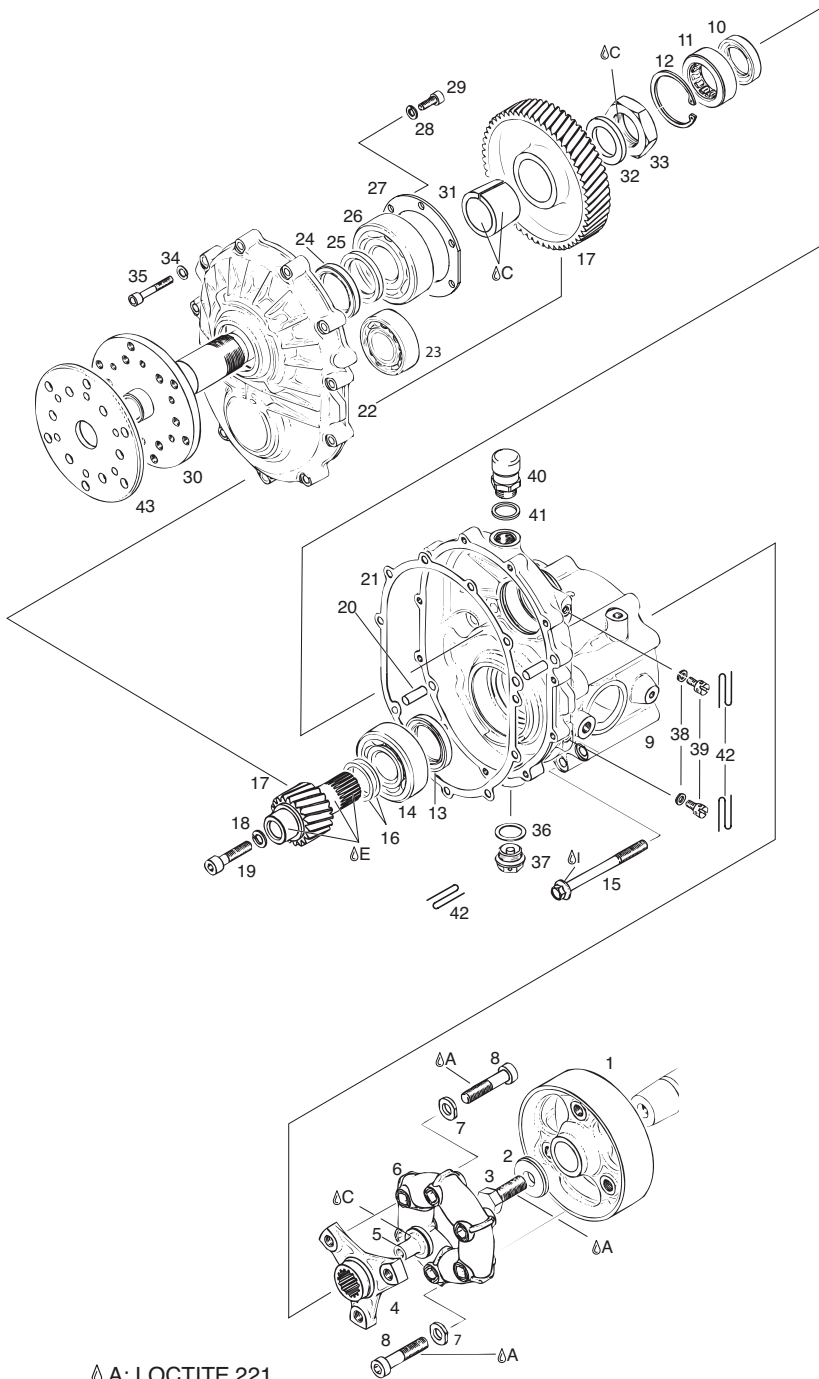


**ROTAX 503, 582 UL 99/17
REDUCTION GEARBOX "C":
I=2,62, I=3,00, I=3,47 OR I=4,00**



- ⚠ A: LOCTITE 221
- ⚠ C: LOCTITE 648
- ⚠ E: LOCTITE ANTI SIZE
- ⚠ I: LITHIUM-BASE GREASE

Item No.	Part No	Description	Qty. Req.	Price
1	958-981	FLY WHEEL	1	\$205.96
2	827-786	WASHER 13/34/5	1	\$20.07
3	841-651	HEX. SCREW 1/2-20UNFX1 3/16	1	\$7.14
4	958-971	COUPLING FLANGE	1f	\$238.85
5	842-661	NUT M8	1	\$28.01
6	958-964	RUBBER COUPLING	1	\$190.57
7	944-120	WASHER	6	\$4.54
8	841-820	ALLEN SCREW M10X45	6	\$4.37
9	810-012	GEAR BOX HOUSING	1	\$466.49
10	930-675	OIL SEAL 25X38X7	1	\$25.94
11	232-285	ROLLER BEARING 26,5-47-14	1	\$115.08
12	945-690	RETAINING RING 47X1,75	1	\$3.85
13	950-084	OIL SEAL A 32X47X7	1g	\$71.37
13	950-084	OIL SEAL 32X47X7	1f	\$71.37
14	932-820	BALL BEARING 6305 C3 / 25-62-17	1	\$59.70
15	440-366	COLLAR HEX. SCREW M8X90 A/F 11	8	\$5.47
16	427-021	SHIM 26,5/34/0,2	NB	\$1.76
17	886-280	GEAR SET I 2,62	1ah	\$649.56
17	886-282	GEAR SET I 3,0	1bh	\$701.88
17	886-284	GEAR SET I 3,47	1ch	\$701.88
18	845-310	LOCK WASHER VHZ 8	1	\$0.41
19	841-591	ALLEN SCREW M8X35	1	\$1.40
20	929-940	PIN 8X20	2	\$4.06
21	950-211	GASKET	1	\$14.45
22	810-021	GEAR COVER	1	\$657.22
23	932-420	BALL BEARING 6205 C3, 25-52-15	2	\$40.77
24	930-715	OIL SEAL 35X47X7	1	\$31.50
25	944-111	DISTANCE RING 31/44/4,5	1	\$26.28
26	932-570	BALL BEARING 6306 C3, 30-72-19	1	\$71.95
27	944-106	SHIM	1	\$27.77
28	445-330	LOCK WASHER VHZ 6	4	\$0.41
29	241-236	ALLEN SCREW M6X1	6	\$0.66
30	837-185	PROPELLER SHAFT	1	\$440.43
31	847-757	SPLITTED CONE SLEEVE 10	1h	\$182.69
32	926-200	MASSIVE WASHER 30	1	\$9.85
33	842-579	HEX. NUT M30X1.5 12MM, LH	1e	\$17.11
34	945-751	LOCK WASHER A6 DIN 128	11	\$0.21
35	840-880	ALLEN SCREW M6X30 DIN 912	11	\$0.57
36	552-280	GASKET RING 18,2/24/1	1	\$2.76
37	840-270	MAGNETIC PLUG M18X1,5	1	\$29.44
38	230-415	SEALING RING A 6X10 DIN 7603	2	\$1.40
39	841-781	CAPSTAN SCREW M6X10	2	\$5.61
40	941-115	AIR VENT SCREW M18X1,5	1	\$18.11
41	931-200	GASKET RING 18,2/22/2	1	\$3.17
42	01-15725	SAFETY WIRE .032 25 FT.	NB	\$1.25
43	944-140	COVER WASHER	1	\$70.47

- a replace layshaft gear 55 T and pinion shaft 21 T only together.
- b replace layshaft gear 57 T and pinion shaft 19 T only together.
- c replace layshaft gear 59 T and pinion shaft 17 T only together.
- d replace layshaft gear 60 T and pinion shaft 15 T only together.
- e NOTICE left-hand thread.
- f coupling-flange 958-971 and oil-seal 950-084 has to be used together!
- g coupling-flange 958-970 and oil-seal 950-085 has to be used together!
- h gear set and splitted cone sleeve 847-757 has to be used together!
see also SI-2ST-007