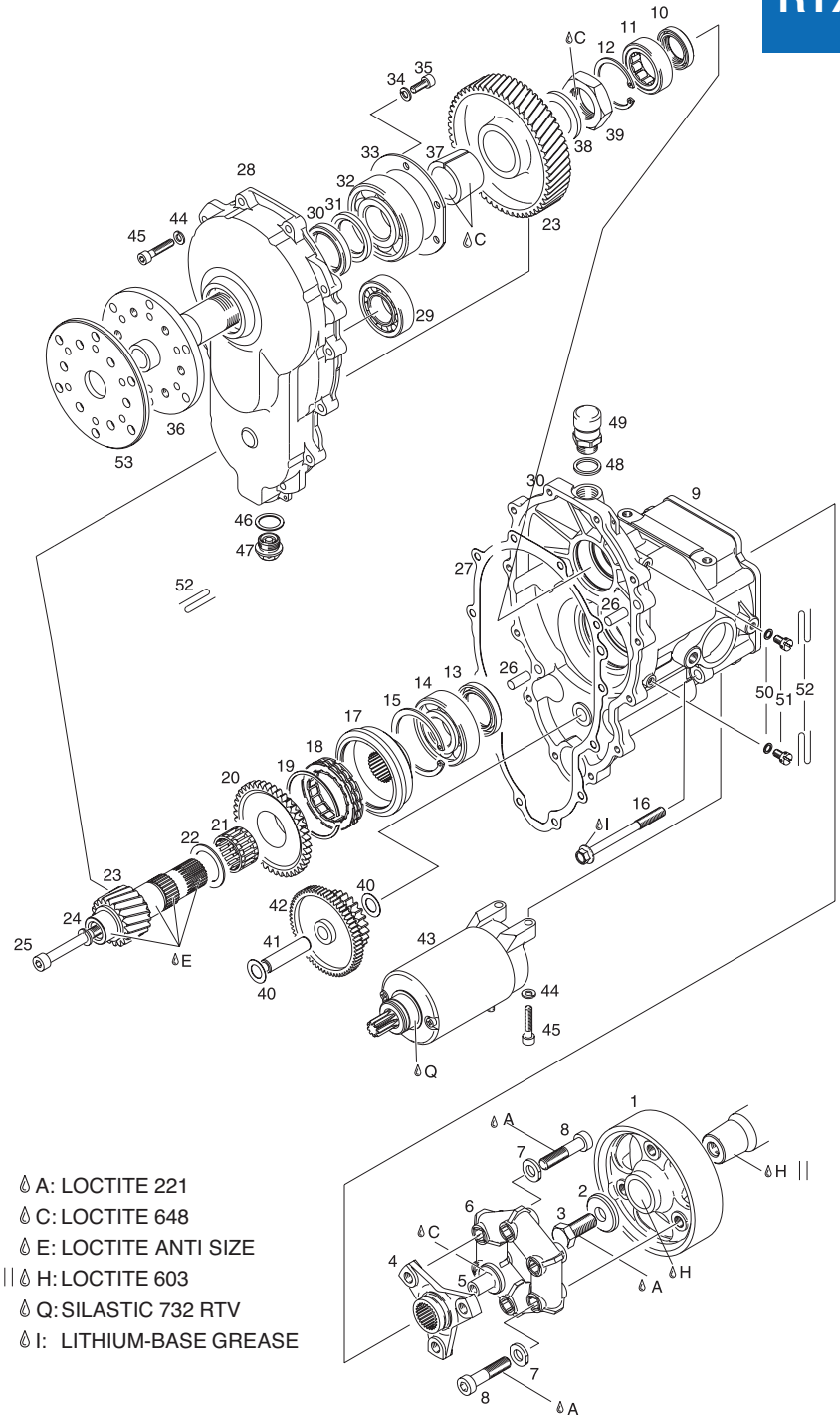


2 STROKE E-GEARBOX

RTX

ROTAX 503, 582 UL 99/17 REDUCTION GEARBOX "E": I=2,62, I=3,00, I=3,47 OR I=4,00

Item No.	Part No	Description	Qty. Req.	Price
1-53	15-07816	E GEARBOX ASSEMBLY 1: 3.00	1	\$1,995.00
1-53	15-07817	E GEARBOX ASSEMBLY 1: 3.47	1	\$2,150.20
1-53	15-07818	E GEARBOX ASSEMBLY 1: 4.00	1	\$2,248.00
1	958-981	FLY WHEEL	1	\$205.96
2	827-786	WASHER 13/34/5	1	\$20.07
3	841-651	HEX. SCREW 1/2-20UNFX1 3/16	1	\$7.14
4	958-971	COUPLING FLANGE	1f	\$238.85
5	842-661	NUT M8	1	\$28.01
6	958-964	RUBBER COUPLING	1	\$190.57
7	944-120	WASHER	6	\$4.54
8	841-820	ALLEN SCREW M10X45	6	\$4.37
9	810-351	GEARBOX HOUSING	1	\$1,380.49
10	930-675	OIL SEAL 25X38X7	1	\$25.94
11	232-285	ROLLER BEARING 26,5-47-14	1	\$115.08
12	945-690	RETAINING RING 47X1,75	1	\$3.85
13	950-084	OIL SEAL 32X47X7	1f	\$71.37
14	932-820	BALL BEARING 6305 C3 / 25-62-17	1	\$59.70
15	445-070	RETAINING RING 62X2	1	\$4.95
16	440-366	COLLAR HEX. SCREW M8X90 A/F 11	8	\$5.47
17	852-430	SPRAG CLUTCH HOUSING	1	\$276.19
18	259-077	SPRAG CLUTCH 45,665X62,332X13	1	\$286.65
19	245-620	SNAPRING 62	1	\$5.13
20	834-280	FREE WHEEL GEAR 42 T	1	\$266.83
21	832-410	NEEDL CAGE K 28X34X20H	1	\$60.07
22	427-236	THRUST WASHER 28,25/39,8/1,5	1	\$3.61
23	886-751	GEAR SET I 2,62	1ah	\$596.57
23	886-753	GEAR SET I 3,0	1bh	\$787.31
23	886-755	GEAR SET I 3,47	1ch	\$787.31
23	886-757	GEAR SET I 4,0	1dh	\$787.31
24	845-310	LOCK WASHER VHZ 8	1	\$0.41
25	440-217	ALLEN SCREW M8X80 DIN 912	1	\$3.81
26	929-940	PIN 8X20	2	\$4.06
27	950-215	GASKET	1	\$16.60
28	810-361	GEAR COVER	1	\$819.00
29	232-242	ZR-BEARING NJ 205 E JP1	1	\$159.89
30	930-715	OIL SEAL 35X47X7	1	\$31.50
31	944-111	DISTANCE RING 31/44/4,5	1	\$26.28
32	932-570	BALL BEARING 6306 C3, 30-72-19	1	\$71.95
33	944-106	SHIM	1	\$27.77
34	445-330	LOCK WASHER VHZ 6	6	\$0.41
35	241-236	ALLEN SCREW M6X16	6	\$0.66
36	837-185	PROPELLER SHAFT	1	\$440.43
37	847-757	SPLITTED CONE SLEEVE 10	1h	\$182.69
38	926-200	MASSIVE WASHER 30	1	\$9.85
39	842-579	HEX. NUT M30X1.5 12MM, LH	1e	\$17.11
40	227-450	THRUST WASHER 12,5/21,5/0,5	2	\$3.17
41	837-301	IDLE GEAR SHAFT	1	\$25.82
42	834-290	IDLE GEAR 62/25 Z	1	\$296.46
43	293-153	ELECTRIC STARTER ASSEMBLY	1	\$853.72
44	945-751	LOCK WASHER A6 DIN 128	14	\$0.21
45	840-880	ALLEN SCREW M6X30 DIN 912	14	\$0.57
46	552-280	GASKET RING 18,2/24/1	1	\$2.76
47	840-270	MAGNETIC PLUG M18X1,5	1	\$29.44
48	931-200	GASKET RING 18,2/22/2	1	\$3.17
49	941-115	AIR VENT SCREW M18X1,5	1	\$18.11
50	230-415	SEALING RING A 6X10 DIN 7603	2	\$1.40
51	841-781	CAPSTAN SCREW M6X10	2	\$5.61
52	01-15725	SAFETY WIRE .032 25 FT.	NB	\$1.25
53	944-140	COVER WASHER	1	\$70.47



- a replace layshaft gear 55 T and pinion shaft 21 T only together.
 - b replace layshaft gear 57 T and pinion shaft 19 T only together.
 - c replace layshaft gear 59 T and pinion shaft 17 T only together.
 - d replace layshaft gear 60 T and pinion shaft 15 T only together.
 - e NOTICE left-hand thread.
 - f coupling flange 958-971 and sealing ring 950-084 has to be used as a set.
 - g coupling flange 958-970 and sealing ring 950-085 has to be used as a set.
 - h gear set and splitted cone sleeve 847-757 has to be used together!
- NOTE: Included starter relay.
see also SI-2ST-007