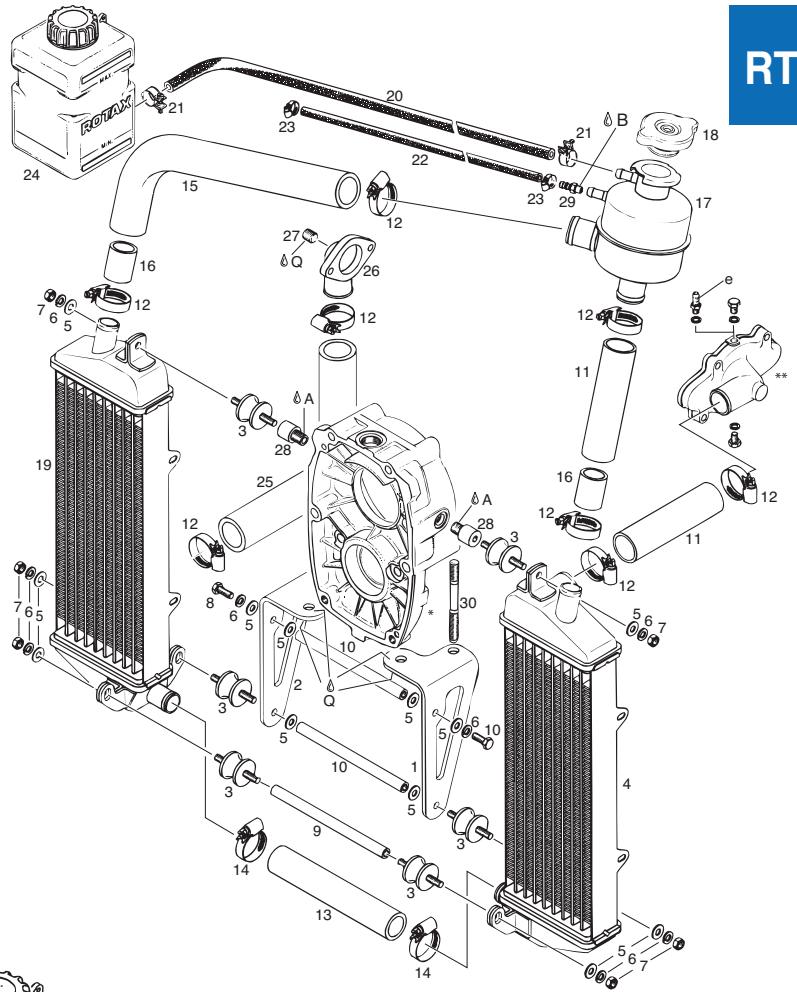


2 STROKE RADIATORS

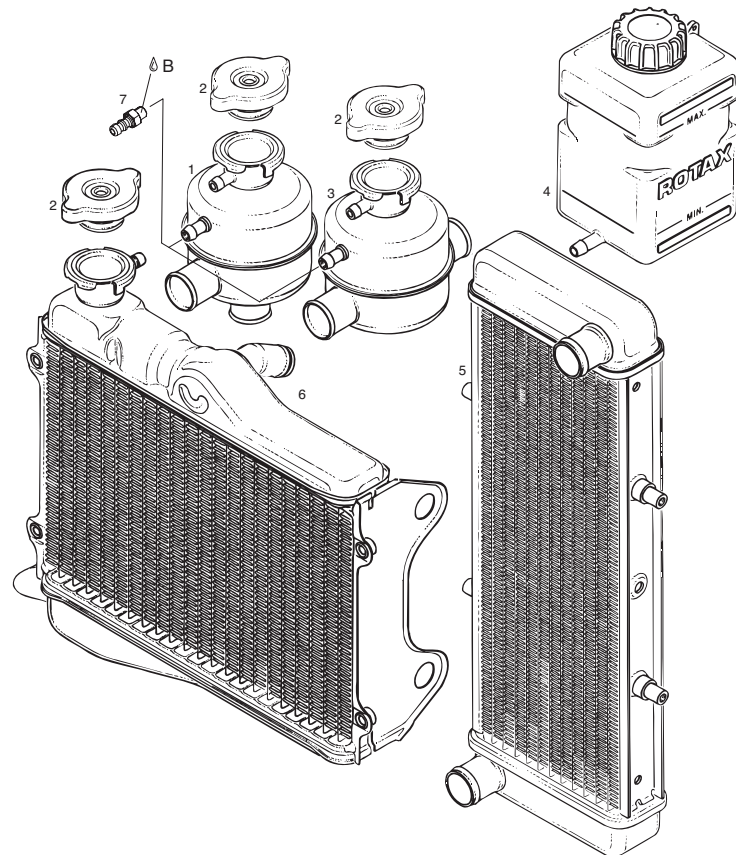
ROTAX 582 UL 99/17 2-PIECE RADIATOR SET FOR INVERTED ENGINE INSTALLATION

Item No.	Part No	Description	Qty. Req.	Price
1	851-122	RADIATOR BRACKET RIGHT	1	\$66.30
2	851-127	RADIATOR BRACKET LEFT	1	\$66.30
3	260-657	RUBBER BUFFER 25X20XM6	6	\$26.40
4	995-913	RADIATOR WITHOUT FILLER CAP	1a	\$639.14
5	244-211	WASHER 6,4 DIN 134	12	\$0.21
6	945-751	LOCK WASHER A6 DIN 128	6	\$0.21
7	242-211	HEX.NUT M6	2	\$0.41
8	241-186	HEX.SCREW M6X16	1	\$0.48
9	847-600	DISTANCE TUBE	2	\$45.68
10	847-605	DISTANCE BOLT	2	\$45.68
11	922-115	CONNECTING HOSE 110 MM	8	\$31.41
12	951-880	CLAMP 20-32	1	\$6.27
13	922-124	CONNECTING HOSE 150 MM	2	\$20.91
14	951-870	CLAMP 16-25	1	\$5.97
15	922-111	BEND HOSE	2	\$66.74
16	222-100	WATER TUBE	1f	\$10.79
17-18	922-312	EXPANSION TANK 90 DEGR.	1	\$148.00
18	922-070	RADIATOR CAP WITH GASKET 1,2 BAR	1	\$82.46
20	956-260	LOW PRESSURE HOSE GC 8X12	NBf	\$48.99
21	951-241	CLAMP 12	1	\$4.85
22	860-300	LOW PRESSURE HOSE GC 6X11	NBf	\$55.25
23	951-898	CLAMP 7-11	2	\$8.64
24	922-327	OVERFLOW BOTTLE WITH CAP	1	\$53.40
25	922-381	BENT HOSE 25/90 DEGR.	1	\$73.01
26	922-061	BENT OUTLET SOCKET	1	\$54.47
27	240-480	PLUG SCREW 1/8-27NPT	1	\$5.47
28	847-730	SPACER 6,5/18/9	2c	\$17.81
29	940-551	HOSE NIPPLE M6	1	\$17.20

- a cooling surface 3,2 dm² (49,6 in²)
- b from engine S/N: 3,916.823
- c up to engine S/N: 4,916.822
- d for evacuation of air, at installation of engine with spark plugs down.
- e longer studs for 582 UL mod. 90 and 618 UL
- f in a roll.
- g no longer available



RTX



ROTAX 582 UL 99/17 1-PIECE RADIATOR, OVERFLOW BOTTLE AND EXPANSION TANK

Item No.	Part No	Description	Qty. Req.	Price
1-2	922-312	EXPANSION TANK ASSEMBLY 90°	1	\$148.00
2-3	922-317	EXPANSION TANK ASSEMBLY 180°	1	\$148.20
2	922-070	RADIATOR CAP WITH GASKET 1,2 BAR	1	\$82.46
3	922-317	EXPANSION TANK 180 DEGR.,	1	\$148.20
4	922-327	OVERFLOW BOTTLE WITH CAP	1	\$53.40
5	997-083	RADIATOR	1	\$487.00
6	995-699	RADIATOR	1	\$487.00
7	940-551	HOSE NIPPLE M6	1	\$17.20