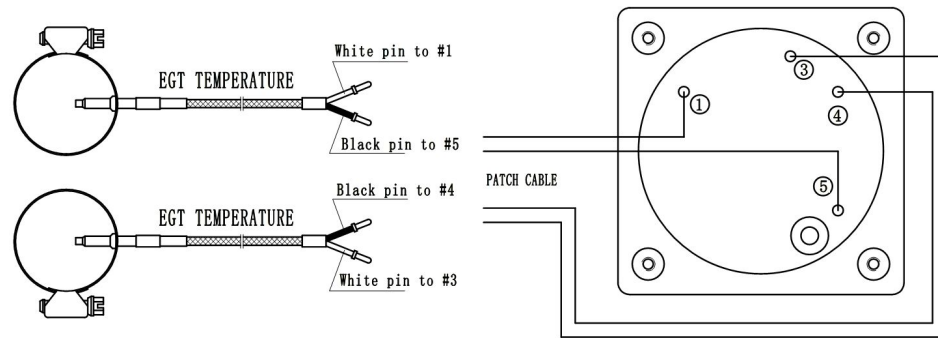


# EXHAUST GAS TEMPERATURE / EXHAUST GAS TEMPERATURE

## Illustration of Instrument Connection:



## NOTE:

- 1) When installing the instrument from behind the panel, use a 2 1/4 " (57mm) hole. Use 4#40 screws to hold instrument secure. When installing the unit from in front of the panel, use a 2 1/16 " (52mm) hole.
- 2) Mount at least 12 " away from compass.
- 3) This unit has not been approved for type certified aircraft.
- 4) Do not connect instrument to any other power source, damage may occur.
- 5) If no reading, reverse connections.