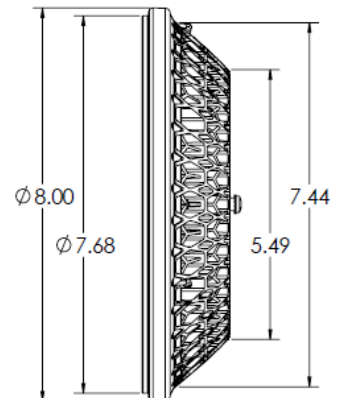
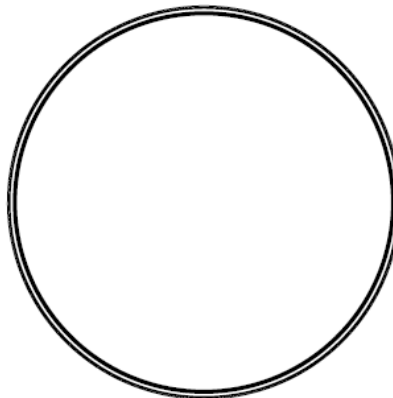
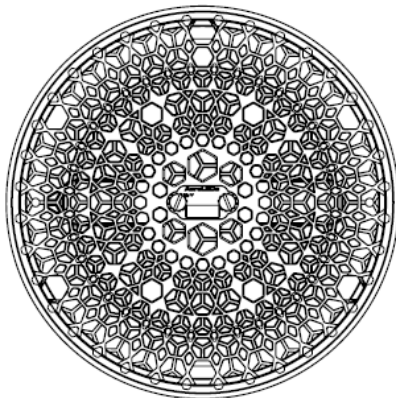
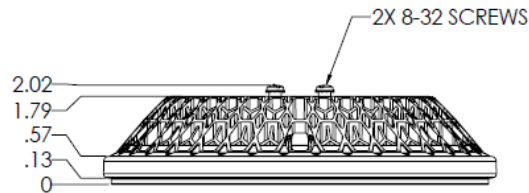




Product Datasheet

SunSpot 64-4559 Landing Light

01-2250-4559



Voltage: 28VDC/28VAC

Current: 8A at 28VDC

Power: 225 Watts

Pulse/WigWag: N/A

Synchronization: N/A

Thermal Protection: Built In

Lumens: 24,750 lm

Candela: 380,000 cd

Beam Profile (@ 10% peak cd):
Vertical: 20°
Horizontal: 20°

Length: 8"

Width: 8"

Depth: 2.0"

Weight: 48 Oz

Heat Sink Material: Aluminum/Black Powder Coat

Lens Material: Polycarbonate

Lens Protection: Optional Film

Mounting: PAR 64 Ring Clamp

MTBF: >30,000 Hours

Temperature Range: -55C to +70C