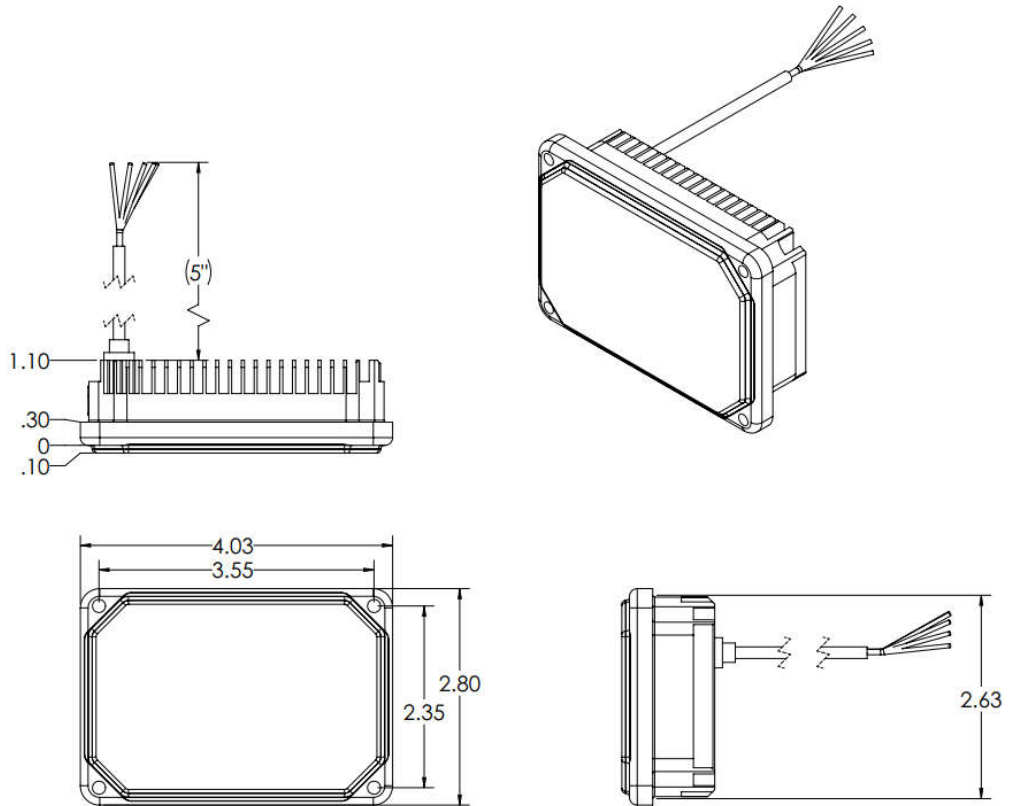




Product Datasheet

SunBeam Landing/Taxi Light with Recognition 90-1000



Voltage:	9-40VDC	Length:	4.0"
Current:	2.5A at 14VDC	Width:	2.8"
Power:	35 Watts	Depth:	1.2"
Pulse/WigWag:	Built In	Weight:	6.2 Oz
Synchronization:	Optional	Heat Sink Material:	Aluminum/Black Anodized
Thermal Protection:	Built In	Lens Material:	Polycarbonate
Lumens:	3,300 lm	Lens Protection:	Optional Film
Candela:	91,000 cd	Mounting:	(4) x 6-32
Beam Profile (@ 10% peak):	Vertical: 20°	MTBF	>30,000 Hours
	Horizontal: 20°	Temperature Range:	-55C to +70C