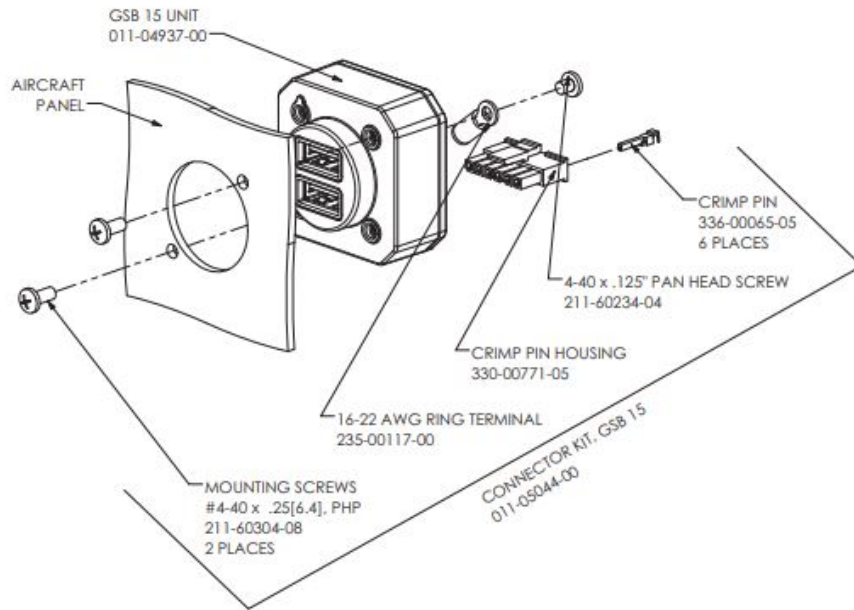
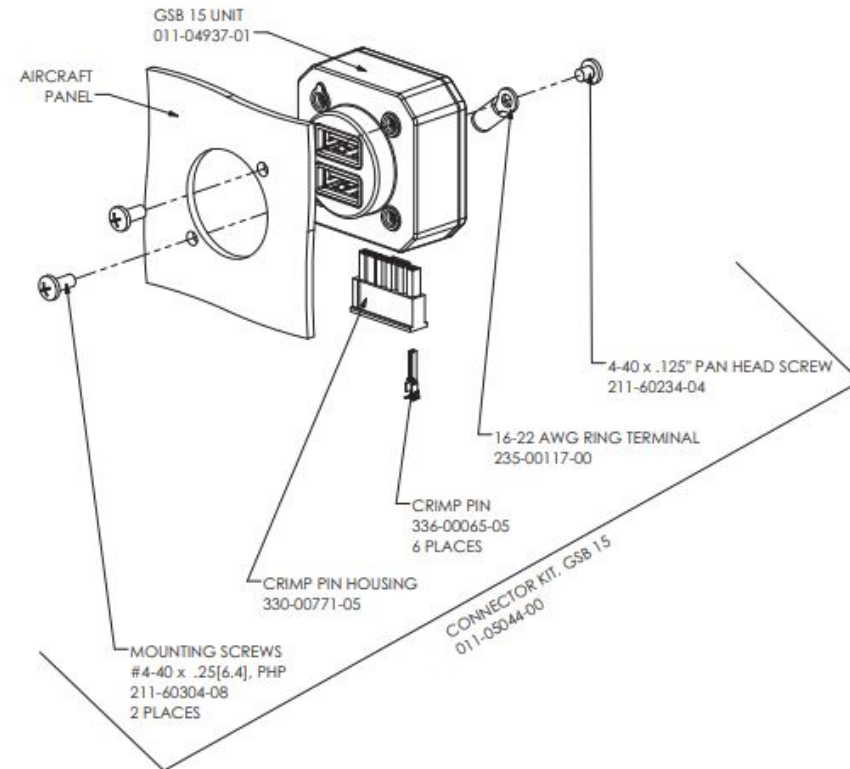


VERTICAL CONNECTOR (-00 CONFIG) WITH CONNECTOR KIT (011-05044-00)



RIGHT-ANGLE CONNECTOR (-01 CONFIG) WITH CONNECTOR KIT (011-05044-00)



Panel Thickness	Recommended Screw Length	Included in Connector Kit (011-05044-00)?
.000-.050[0.00-1.27]	.188[4.76]	No
.050-.125[1.27-3.18]	.250[6.35]	Yes, Qty. 2
.125-.188[3.18-4.76]	.313[7.95]	No

Figure A-2 GSB 15 Installation Drawing (011-05044-00 Mounting Kit)