

# Sigtronics ICS Load Modification Instructions

Intercom Models: **Sport 200**  
**SPA-400**  
**SPA-600**

**SDB-800**  
**ST-400**  
**ST-600**

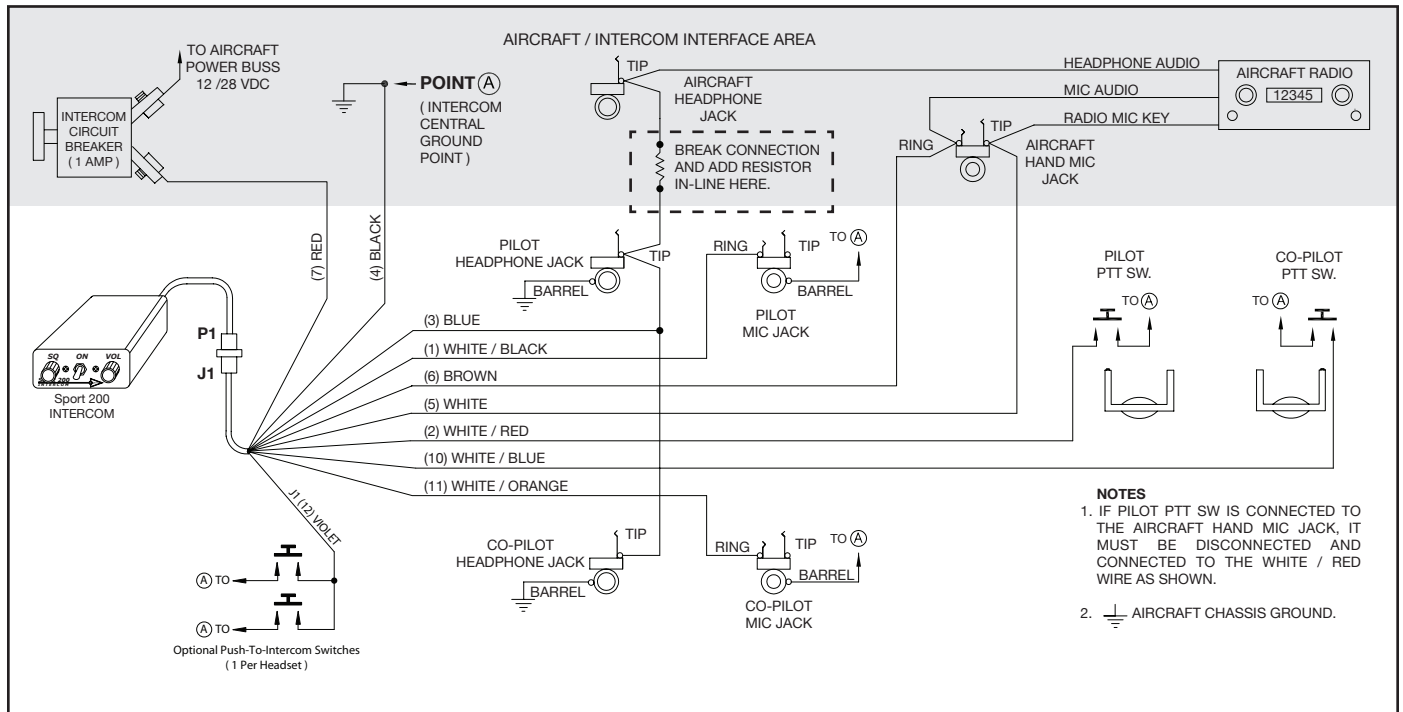
This modification is used when a Sigtronics Intercom is connected to a radio or audio panel which has a low impedance headphone output (less than 100 ohms). This is most common with some Narco equipment (CP-135, CP-136, and MARK 12D for example) and "home made" audio select panels.

**Symptoms Are:** Intercom audio volume is weak or non-existent.  
 Transmit function is normal on VHF radio.  
 Receive function is normal on VHF radio.

**Verification:** Disconnect the intercom headphone wire (blue) from the radio or audio panel. Make sure that the blue wire is still connected between the intercom and all intercom headphone jacks. If the maximum intercom volume level is now approximately 30% or more greater than when the blue wire was connected, then this modification will solve the problem.

**Solution:** Add a 1/4 or 1/2 watt resistor per the drawing below. The value of the resistor most commonly used is 220 ohms, however, optimum performance can be achieved by selecting the value right for your particular installation. The resistor can be any value between 100 and 330 ohms and is selected for the best balance between radio receive volume and intercom volume.

The example below is for a Sport 200 intercom. The resistor modification applies to all listed intercoms.



**Specialists in "SOUND" Management**

178 East Arrow Highway, San Dimas, CA 91773 (909) 305-9399