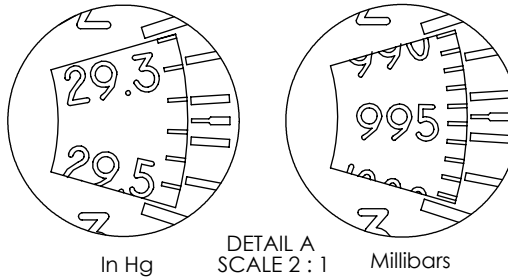
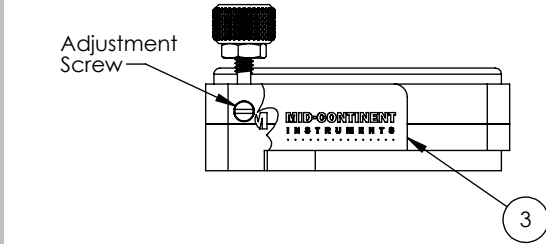
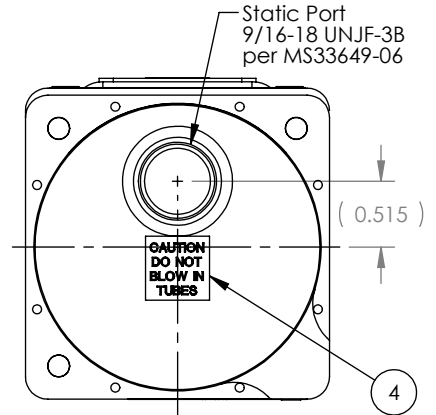
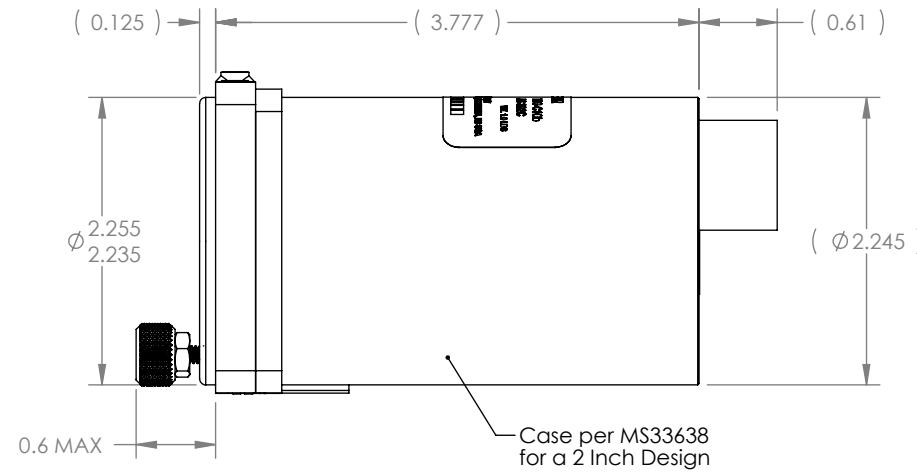
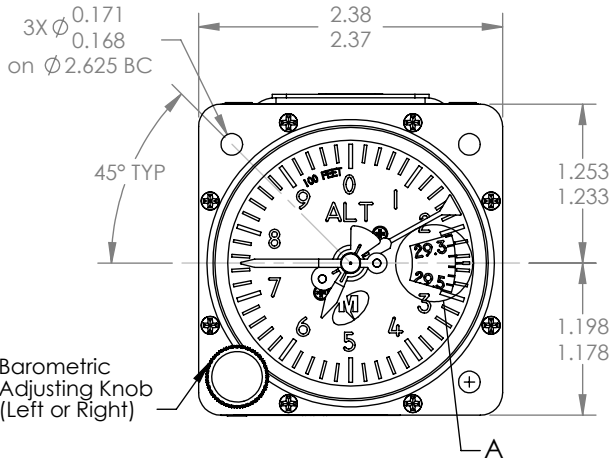
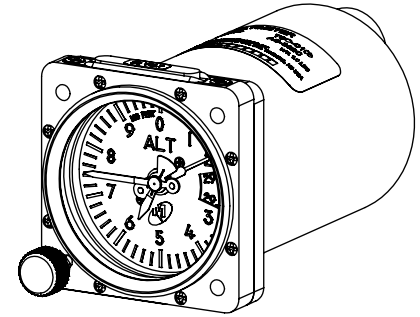
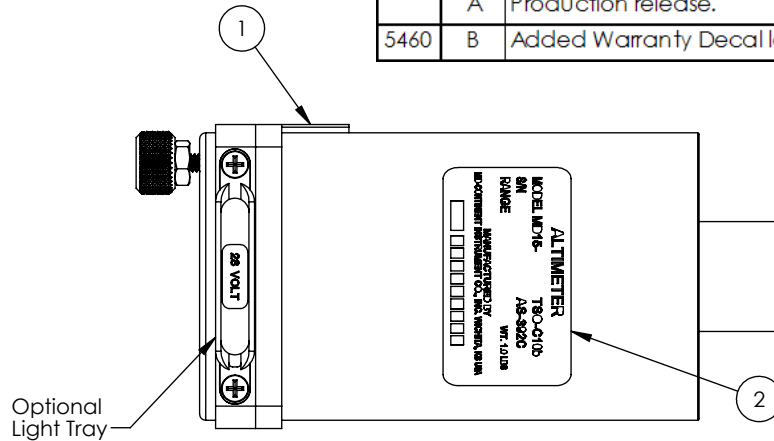


Configuration

Dash #	Range (ft)	Barometer	Knob	Assembly
-211	20,000	Millibars	Right	9016871-1
-212	20,000	Millibars	Left	9016871-2
-221	20,000	In Hg	Right	9016871-3
-222	20,000	In Hg	Left	9016871-4
-311	35,000	Millibars	Right	9016871-5
-312	35,000	Millibars	Left	9016871-6
-321	35,000	In Hg	Right	9016871-7
-322	35,000	In Hg	Left	9016871-8

Revision

ECO	Rev.	Description	Date	Approved
	A	Production release.	04/13/10	CJM/JDS
5460	B	Added Warranty Decal location. Added 9017169 label.	09/02/10	MKN/CJM



Item	Qty	Part Number	Description
1	1	See Config	Assembly, Altimeter
2	1	9017060	Nameplate
3	1	6018956	Decal, Warranty
4	1	9017169	Label, Caution

Certification:	FAA TSO-C10b
Range:	-1000 to 20,000 or 35,000 feet
Scale:	Millibars (mb) or Inches of Mercury (InHg)
Lighting:	Field Replaceable LED or Incandescent Light Tray available for 5, 14, or 28VDC input
Colors:	Dials: Black #37038 per FED-STD-595 Pointers and Text: White #37875 per FED-STD-595 Case, Bezel, & Knob: Black
Weight:	0.8 lb.

UNLESS OTHERWISE SPECIFIED, ALL DIMENSIONS ARE IN INCHES.
TOLERANCE:
FRACTIONAL=±1/64
.XX=±0.015
.XXX=±0.005
.XXXX=±0.002
ANGULAR=±0.5°
CONCENTRICITY: 0.005 TIR
BREAK ALL SHARP EDGES
THREADS PER MIL-S-7742

DRAWN:
C. Mies
4/13/2010
APPROVED:
JDS
4/13/2010

This document discloses proprietary information of Mid-Continent Instrument Co. It may be reproduced or disclosed only with written permission of Mid-Continent Instrument Co. and is not to be used in any way detrimental to the interests of Mid-Continent Instrument Co.



MID-CONTINENT INSTRUMENTS

Indicator, Altimeter, 2-inch

PART NUMBER:
MD15

SCALE: 2:3

DO NOT SCALE THIS DRAWING

SHEET: 1 of 1