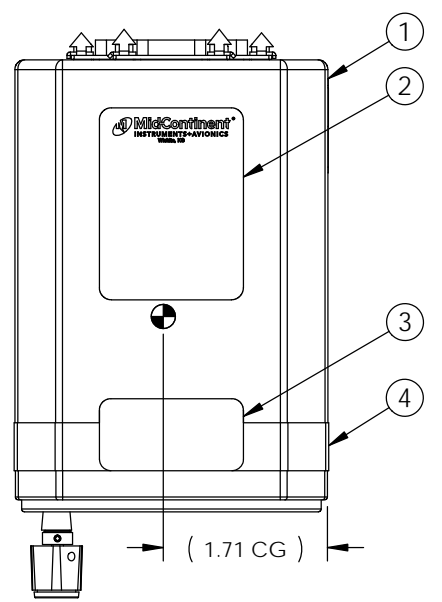


Configuration		
Dash #	Course Datum	Assy, CDI
-706	Omit	9018540-3
-707	Include	9018540-4

Revision				
ECO	Rev.	Description	Date	Approved
	A	Production release.	11/30/15	MKN/WVC

J1 (25 PIN D-SUB) Pinout	
1	OBS Resolver H
2	OBS Resolver C
3	OBS Resolver D
4	OBS Resolver F
5	OBS Resolver E (NAV common ref)
6	OBS Resolver G (NAV common ref)
7	+ VOR/LOC Valid
8	- VOR/LOC Valid (NAV common ref)
9	+ To
10	+ From (NAV common ref)
11	+ Left
12	+ Right (NAV common ref)
13	+ Up
14	+ Down (GS common ref)
15	+ Glide Slope Valid
16	- Glide Slope Valid (GS common ref)
17	GPS Annunciator (gnd = active)
18	VLOC Annunciator (gnd = active)
19	+12-32 VDC (or pin 20)*
20	+12-32 VDC (or pin 19)*
21	Power Ground
22	+28 V Lighting
23	+14 V Lighting
24	NAV Annunciator (gnd = active)
25	+5 V Lighting

J2 (9 PIN D-SUB) Pinout (-707 only)	
1	Course Datum H
2	Course Datum C
3	Course Datum X
4	Course Datum Y
5	Course Datum Z
6	Spare
7	Spare
8	Spare
9	Spare

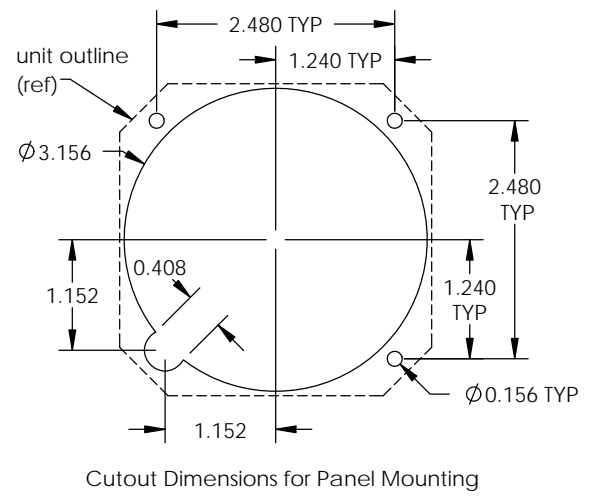
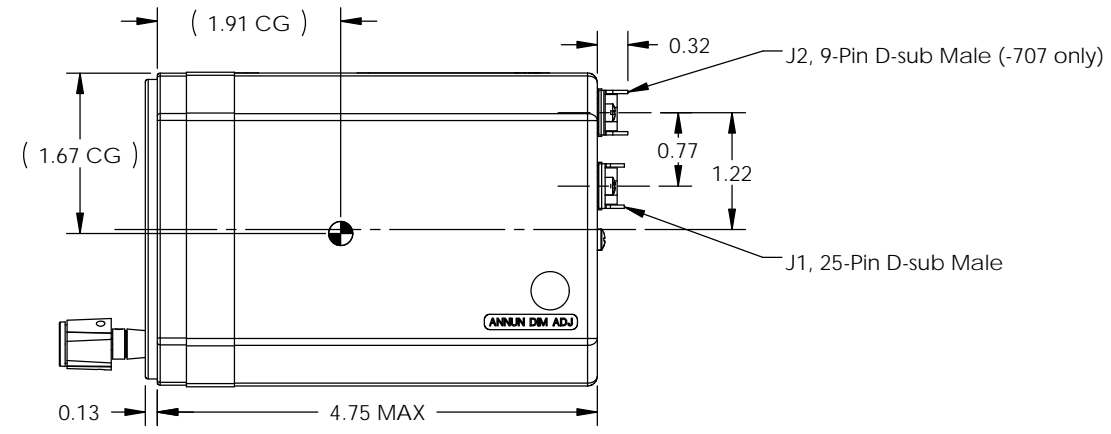
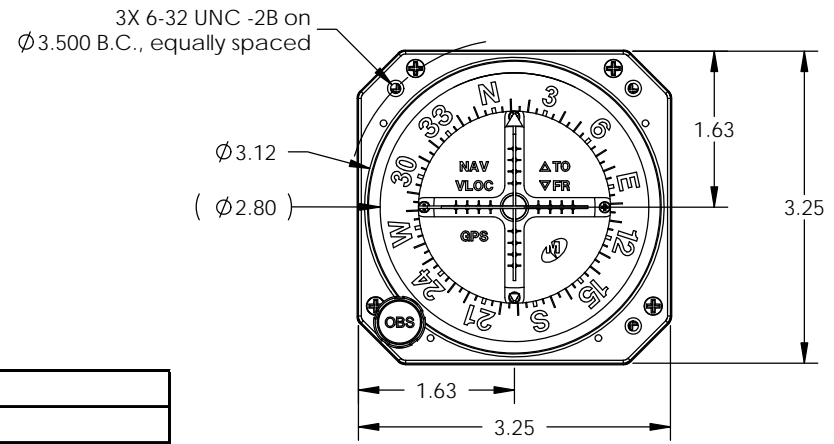


Notes:

- MD200 CRS/GS INDICATOR is a 3 inch dual pointer indicator.
- Rectilinear VOR/LOC (vertical) deviation bar:
 - In view: indicates the amount of deviation and direction from a selected VOR course or localizer path.
 - Hidden: no power or no information is being provided to VOR/LOC deviation bar.
- Rectilinear glide slope (horizontal) deviation bar:
 - In view: displays deviation from the glide path.
 - Hidden: no power or no information is being provided to the glide slope deviation bar.
- TO/FROM annunciations: Indicate whether the bearing of the selected station is TO or FROM (FR) the aircraft when flying a selected course.
- OBS knob: rotates azimuth card to the desired bearing.
- Unit has integral wedge with HEA coating.
- Mounting screws shall be 1.5" max.
- Unit shall be identified as MD200-706 or MD200-707.

Interface Technical Specifications:

- OBS resolver: Zeroed at 300° ±1° ORZ (300° ±2.5° at max temp. range).
- Course Datum Synchro: 26 VAC at 400 Hz. Output is 393 mV/deg ±1° (393 mV/deg ±2.5° at max. temp. range). Zeroed at 90° ±1° (90 ±2.5° at max. temp. range).
- VOR/GS DEV: Input impedance is 1K ohms ±10% (1K ohms ±25% at max. temp. range), deflection sensitivity is 150 mV ±10% (150 mV ±25% at max. temp. range) for full scale deflection.
- VOR/GS Valid: Input impedance is 1K ohms ±10% (1K ohms ±25% at max. temp. range). Valid signal sensitivity is 125 mV minimum for the deviation bar to remain hidden. 260 mV ±10% (260 mV ±25% at max. temp. range) maximum deviation bar fully in view.
- TO/FROM Indication: 200 ohms ±10% (200 ohms ±25% at max. temp. range). ±40 mV ±15% (±40 mV ±25% at max. temp. range) maximum for annunciation.
- Aircraft power can be connected to either J1 pin 19 or pin 20.



Specifications	
Model Number	MD200
Power Input	12-32 VDC; 0.2 Amps MAX
Lighting	Dial: 0 to 5, 14 or 28 VDC; Annunciation: photocell with adjustment
Qualifications	FAA TSO: C34e, C36e, and C40c RTCA DO-160B/G (See install manual for categories)
Connectors	25-Pin D-sub Male -707 only: 9-Pin D-sub Male
Mating Connectors	25-Pin D-sub Female Connector Kit -707 only: 9-Pin D-sub Female Connector Kit
Temperature	-55 °C to +70 °C
Altitude	55,000 feet max
Weight	-706: 1.3 lbs; -707: 1.4 lbs
Colors	Bezel, Background, Cover: Black Text, Bars, and Grads: White VLOC, GPS, TO, FROM Annunciations: White NAV Annunciation: Green
Install Manual	MCIA P/N 9018582

Item	Qty	Part Number	Description
1	1	See config	Assy, Course Datum Indicator
2	1	9018586-1	Nameplate, CDI, MCIA
3	1	6018956	Decal, Warranty
4	1	8017360	Tape, Acetate

<small>UNLESS OTHERWISE SPECIFIED, ALL DIMENSIONS ARE IN INCHES. TOLERANCE: .FRACTIONAL=±1/64 .XX=±0.015 .XXX=±0.005 .XXXX=±0.002 ANGULAR=±0.5° CONCENTRICITY: 0.005 TIR BREAK ALL SHARP EDGES THREADS PER MIL-S-7742</small>	DRAWN: MKN 10/14/2015	<small>This document discloses proprietary information of Mid-Continent Instrument Co., Inc. It may be reproduced or disclosed only with written permission of Mid-Continent Instrument Co., and is not to be used in any way detrimental to the interests of Mid-Continent Instrument Co., Inc.</small>	
	APPROVED: WVC 11/05/2015		