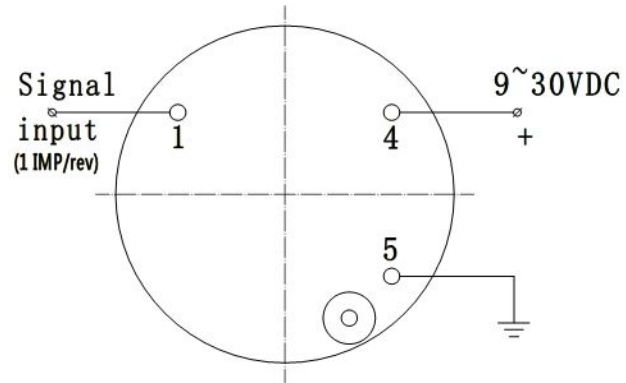


## ENGINE TACHOMETER

### Illustration of Instrument Connection :



### NOTE :

- 1) Installing the instrument from behind the panel, according to the size of the gauges use a 2-1/4" (57mm) hole or 3-1/8" (80mm) hole. Use 4#40 screws to hold instrument secure.
- 2) The gauge is suitable for ROTAX 912 engine, 1 IMP/rev. Other engines may need to be customized.
- 3) Mount at least 12" away from compass.
- 4) This unit has not been approved for type certified aircraft.
- 5) Do not connect instrument to any other power source. Damage may occur.